

Excellent Integrated System Limited

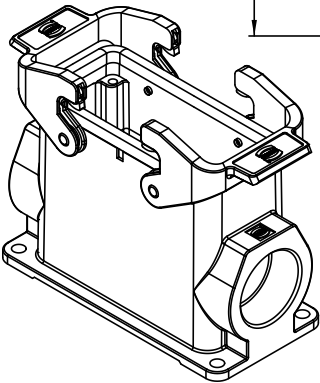
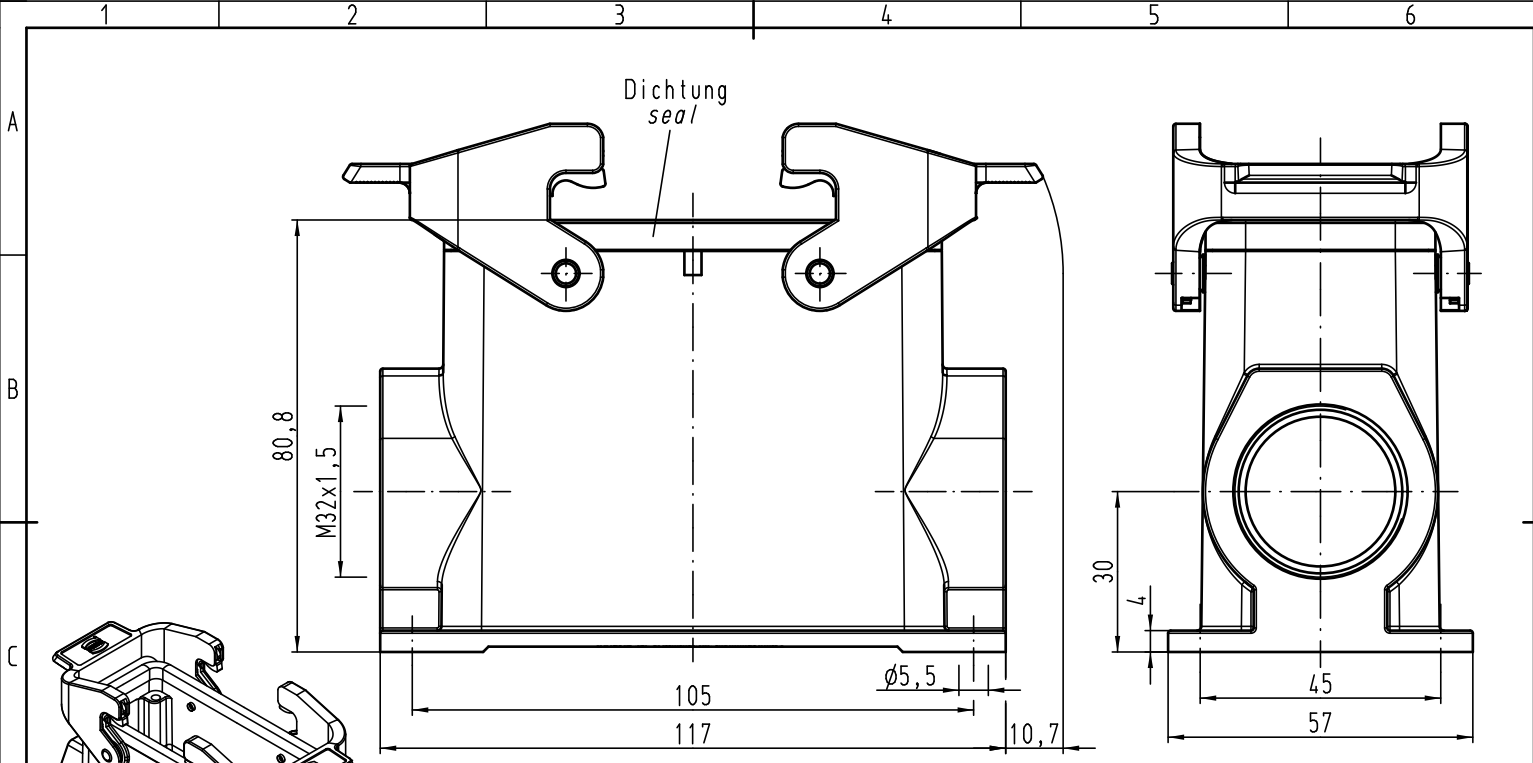
Stocking Distributor



Click to view price, real time Inventory, Delivery & Lifecycle Information:

[Harting](#)
[19300160232](#)

For any questions, you can email us directly:
sales@integrated-circuit.com

Alle Rechte vorbehalten/ All rights reserved



 All Dimensions in mm Original Size DIN A 4			Techn. Character.			Nicht tolerierte Maß/Free size tolerances			
						Han 16B-asg1-QB-M32 Socketgehäuse <i>housing surface mounting</i>			
			Detail.	07.07.10	ML				1:1
			Insp.		Sch				
			Stand.						
B	30.05.11	Ho	HARTING Electric GmbH & Co. KG			TB 19 30 016 0232			
A			D-32339 Espelkamp						
Mod.	Dat.	Name							
						Sub. TB 19 30 016 0232 v. 22.02.02			

Blatt/ page