

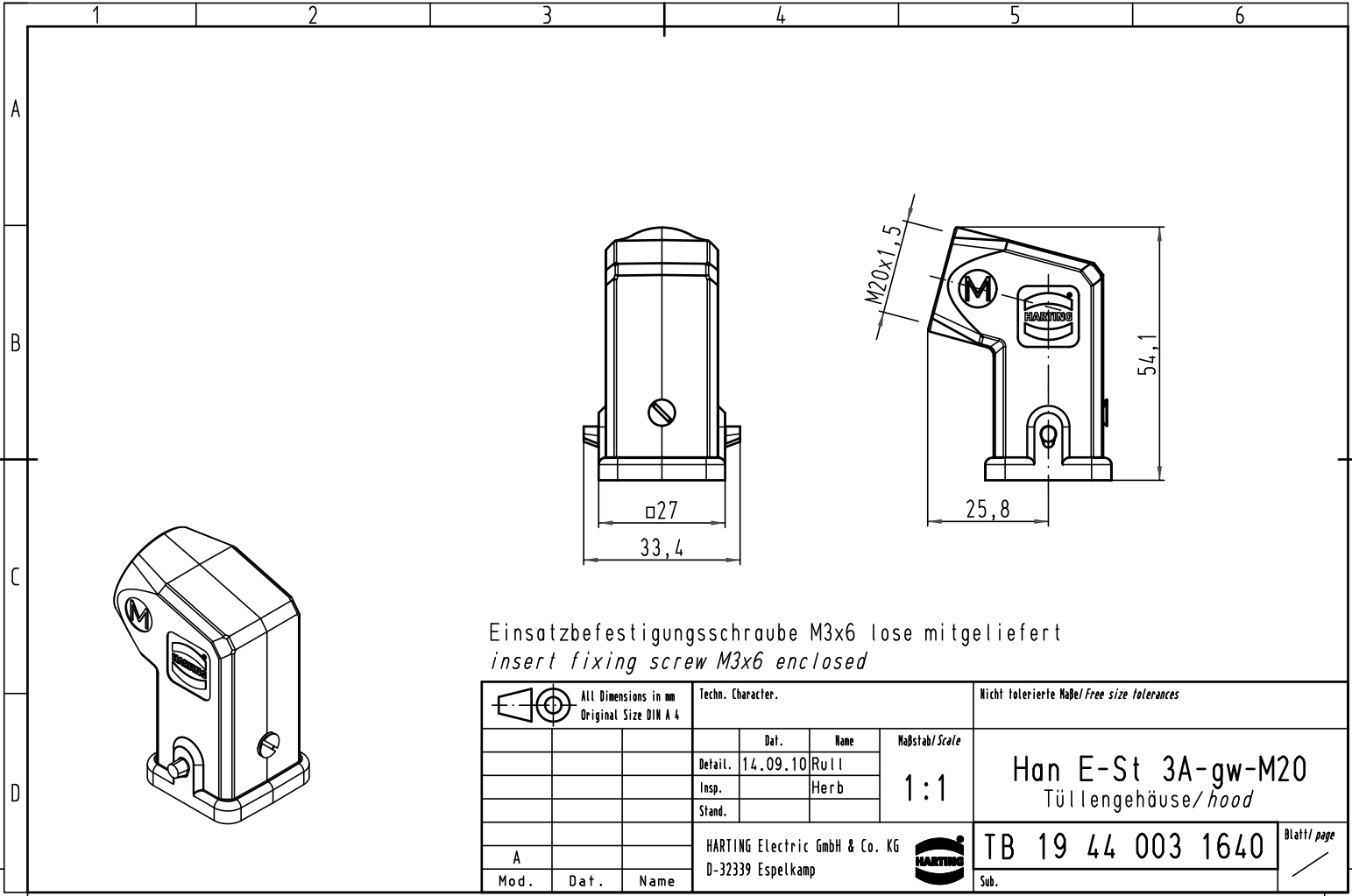
Excellent Integrated System Limited

Stocking Distributor

Click to view price, real time Inventory, Delivery & Lifecycle Information:

[Harting](#)
[19440031640](#)

For any questions, you can email us directly:
sales@integrated-circuit.com



Einsatzbefestigungsschraube M3x6 lose mitgeliefert
insert fixing screw M3x6 enclosed

| All Dimensions in mm Original Size DIN A 4 | | | Techn. Character. | | | Nicht tolerierte Maß/Free size tolerances | |
|---|------|------|--------------------------------|----------|-------|---|--|
| | | | Detail. | 14.09.10 | Rull | 1:1 | Han E-St 3A-gw-M20 Tüllengehäuse/hood |
| | | | Insp. | | Her b | | |
| | | | Stand. | | | | |
| A | | | HARTING Electric GmbH & Co. KG | | | TB 19 44 003 1640 | Blatt/ page |
| Mod. | Dat. | Name | D-32339 Espelkamp | | | | |