

Excellent Integrated System Limited

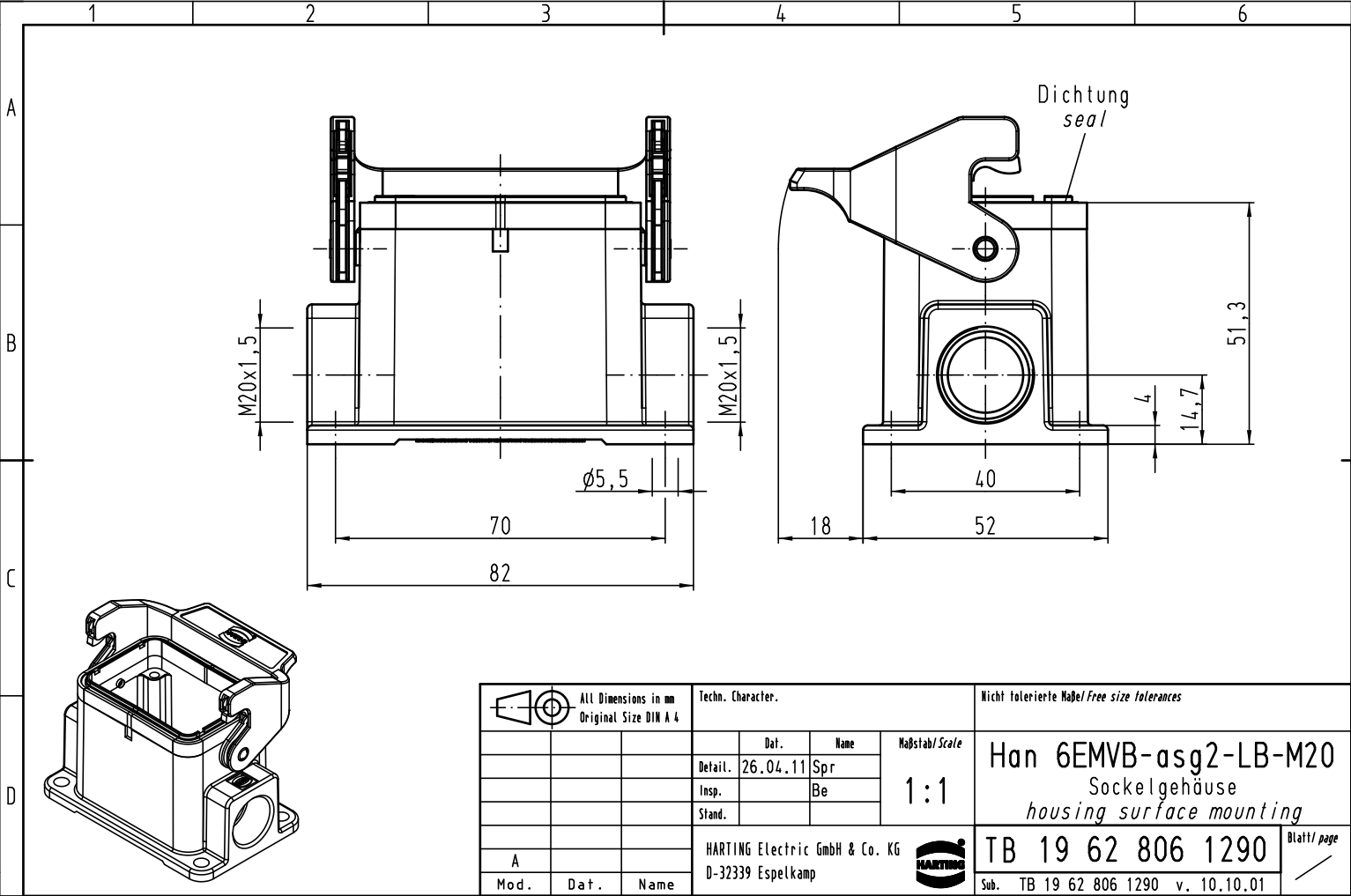
Stocking Distributor


Click to view price, real time Inventory, Delivery & Lifecycle Information:

[Harting](#)
[19628061290](#)

For any questions, you can email us directly:
sales@integrated-circuit.com

Alle Rechte vorbehalten/ All rights reserved



All Dimensions in mm Original Size DIN A 4			Techn. Character.			Nicht tolerierte Maß/Free size tolerances	
			Detail.	Dat.	Name	Maßstab/Scale 1:1	Han 6EMVB-asg2-LB-M20 Sockelgehäuse housing surface mounting
			Insp.	26.04.11	Spr		
			Stand.		Be		
A			HARTING Electric GmbH & Co. KG				TB 19 62 806 1290
Mod.	Dat.	Name	D-32339 Espelkamp				
							Blatt/ page