

## Excellent Integrated System Limited

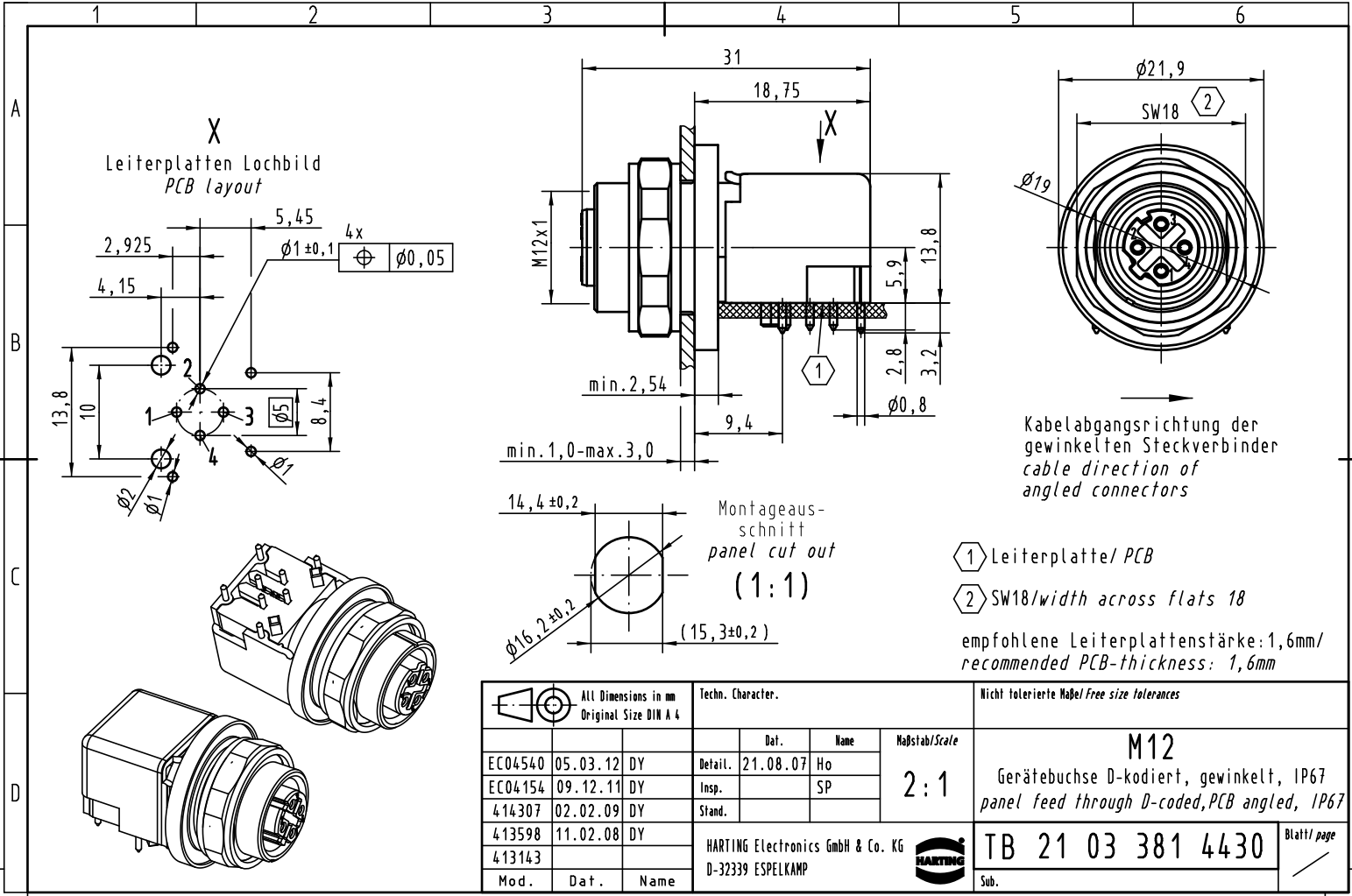
Stocking Distributor

Click to view price, real time Inventory, Delivery & Lifecycle Information:

[Harting](#)  
[21033814430](#)

For any questions, you can email us directly:  
[sales@integrated-circuit.com](mailto:sales@integrated-circuit.com)

Alle Rechte vorbehalten/ All rights reserved



- ① Leiterplatte/ PCB
- ② SW18/width across flats 18

empfohlene Leiterplattenstärke: 1,6mm/  
recommended PCB-thickness: 1,6mm

All Dimensions in mm Original Size DIN A 4			Techn. Character.				Nicht tolerierte Maß/Free size tolerances	
Mod.	Dat.	Name	Detail.	Dat.	Name	Maßstab/Scale	M12	Blatt/ page
EC04540	05.03.12	DY	Detail.	21.08.07	Ho			
EC04154	09.12.11	DY	Insp.		SP			
414307	02.02.09	DY	Stand.					
413598	11.02.08	DY						
413143								
HARTING Electronics GmbH & Co. KG D-32339 ESPELKAMP							Sub.	