

Excellent Integrated System Limited

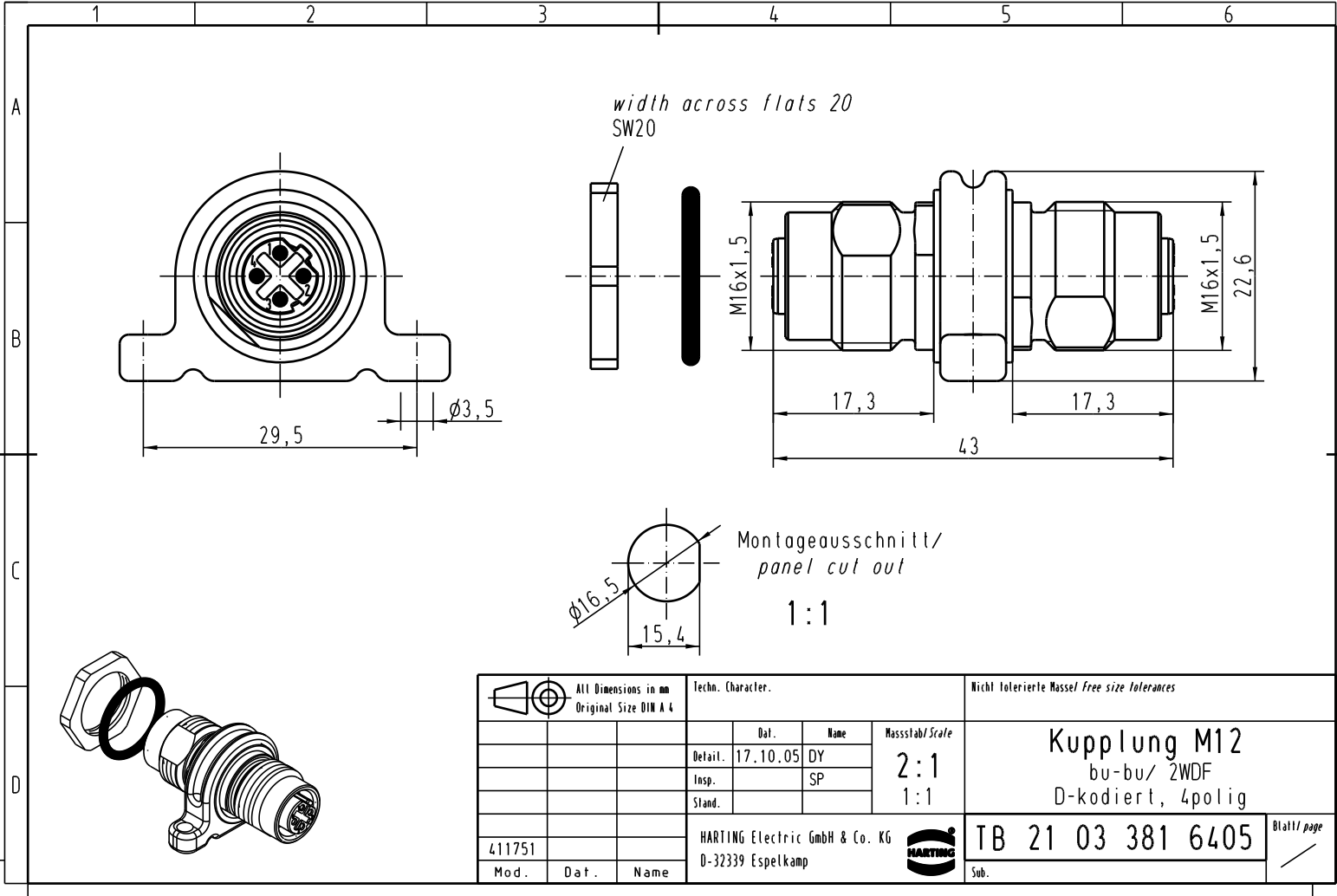
Stocking Distributor

Click to view price, real time Inventory, Delivery & Lifecycle Information:

[Harting](#)
[21033816405](#)

For any questions, you can email us directly:
sales@integrated-circuit.com

Alle Rechte vorbehalten/ All rights reserved



All Dimensions in mm Original Size DIN A 4			Techn. Character.			Nicht tolerierte Masse free size tolerances		
			Dat.	Name	Massestab/Scale 2:1 1:1	Kupplung M12 bu-bu/ 2WDF D-kodiert, 4polig		
			Detail.	17.10.05 DY				
			Insp.	SP				
			Stand.			TB 21 03 381 6405		
411751			HARTING Electric GmbH & Co. KG					
Mod.	Dat.	Name	D-32339 Espelkamp			Sub.		