



Distributor of Harting: Excellent Integrated System Limited

Datasheet of 60010265132 - D-Sub Connector Receptacle, Female Sockets 26 Position
Through Hole, Right Angle Solder

Contact us: sales@integrated-circuit.com Website: www.integrated-circuit.com

Excellent Integrated System Limited

Stocking Distributor

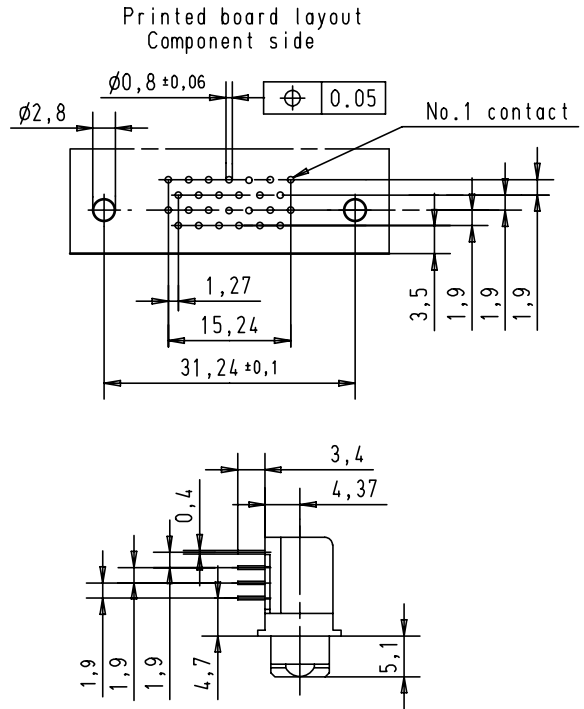
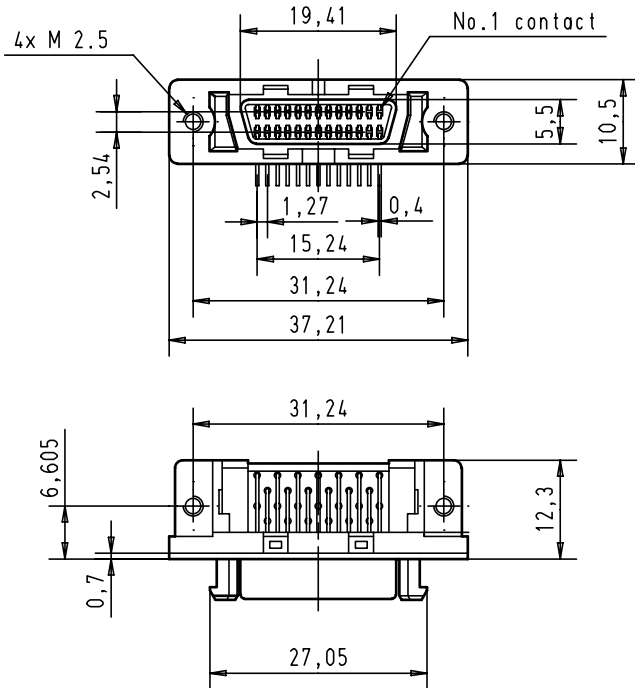
Click to view price, real time Inventory, Delivery & Lifecycle Information:



[Harting](#)

[60010265132](#)

For any questions, you can email us directly:

sales@integrated-circuit.com



			Det.	Name	 All Dim. in mm Orig. Size DIN A 4	<i>har.mik</i> ® I/O pin/socket 26 poles female connector with angled solder pins, fixed latching, panel and board fixing 4x M2,5	Maßstab/ Scale 1,5:1	
			Detail.	21-JUN-01				SG
			Insp.					
			Stand.					
29686	21-JUN-01	SG	HARTING EURL F-95972 Paris			 TB 60 01 026 5132	Blatt/ Page 1 / 1	
Mod.	Det.	Name						Sub.