



**Distributor of Harting: Excellent Integrated System Limited**

Datasheet of 60010505102 - D-Sub Connector Receptacle, Female Sockets 50 Position  
Through Hole Solder

Contact us: [sales@integrated-circuit.com](mailto:sales@integrated-circuit.com) Website: [www.integrated-circuit.com](http://www.integrated-circuit.com)

---

## Excellent Integrated System Limited

Stocking Distributor

Click to view price, real time Inventory, Delivery & Lifecycle Information:

[Harting](#)

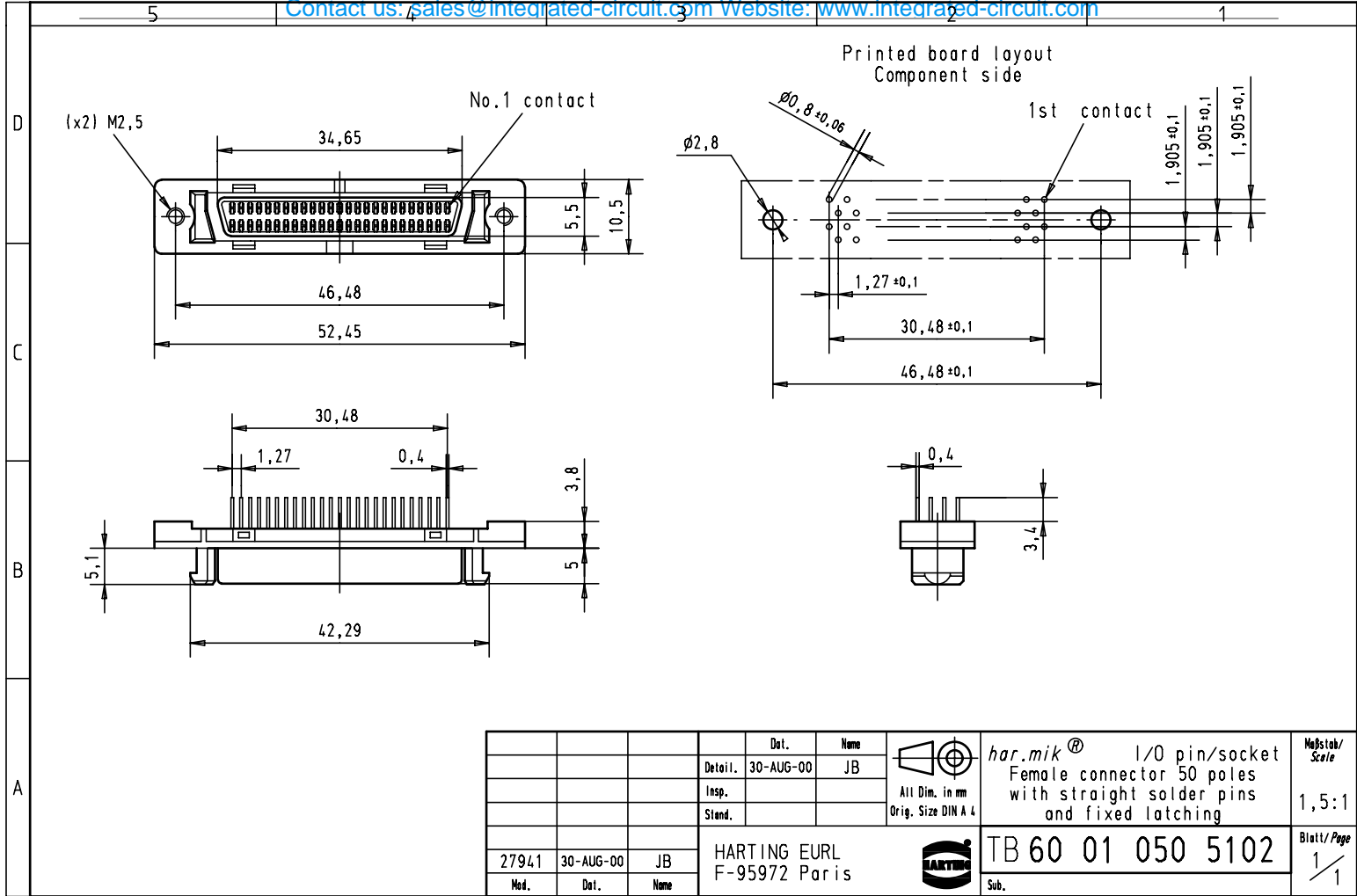
[60010505102](#)


For any questions, you can email us directly:

[sales@integrated-circuit.com](mailto:sales@integrated-circuit.com)

Alle Rechte vorbehalten/ All rights reserved

Contact us: [sales@integrated-circuit.com](mailto:sales@integrated-circuit.com) Website: [www.integrated-circuit.com](http://www.integrated-circuit.com)



|  |       |           |         |                               |      |   |   |                            |
|--|-------|-----------|---------|-------------------------------|------|---|---|----------------------------|
|  |       |           |         | Det.                          | Name | <br>All Dim. in mm<br>Orig. Size DIN A 4 | <b>har.mik</b> ® I/O pin/socket<br>Female connector 50 poles<br>with straight solder pins<br>and fixed latching | Maßstab/<br>Scale<br>1,5:1 |
|  |       |           | Detail. | 30-AUG-00                     | JB   |   |   |                            |
|  |       |           | Insp.   |                               |      |   |   |                            |
|  |       |           |         | Stand.                        |      |   |   |                            |
|  | 27941 | 30-AUG-00 | JB      | HARTING EURL<br>F-95972 Paris |      |   | <b>TB 60 01 050 5102</b>  | Blatt/ Page<br>1 / 1       |
|  | Mod.  | Det.      | Name    |                               |      |   |   |                            |