



Distributor of Harting: Excellent Integrated System Limited

Datasheet of 60010685102 - D-Sub Connector Receptacle, Female Sockets 68 Position
Through Hole Solder

Contact us: sales@integrated-circuit.com Website: www.integrated-circuit.com

Excellent Integrated System Limited

Stocking Distributor

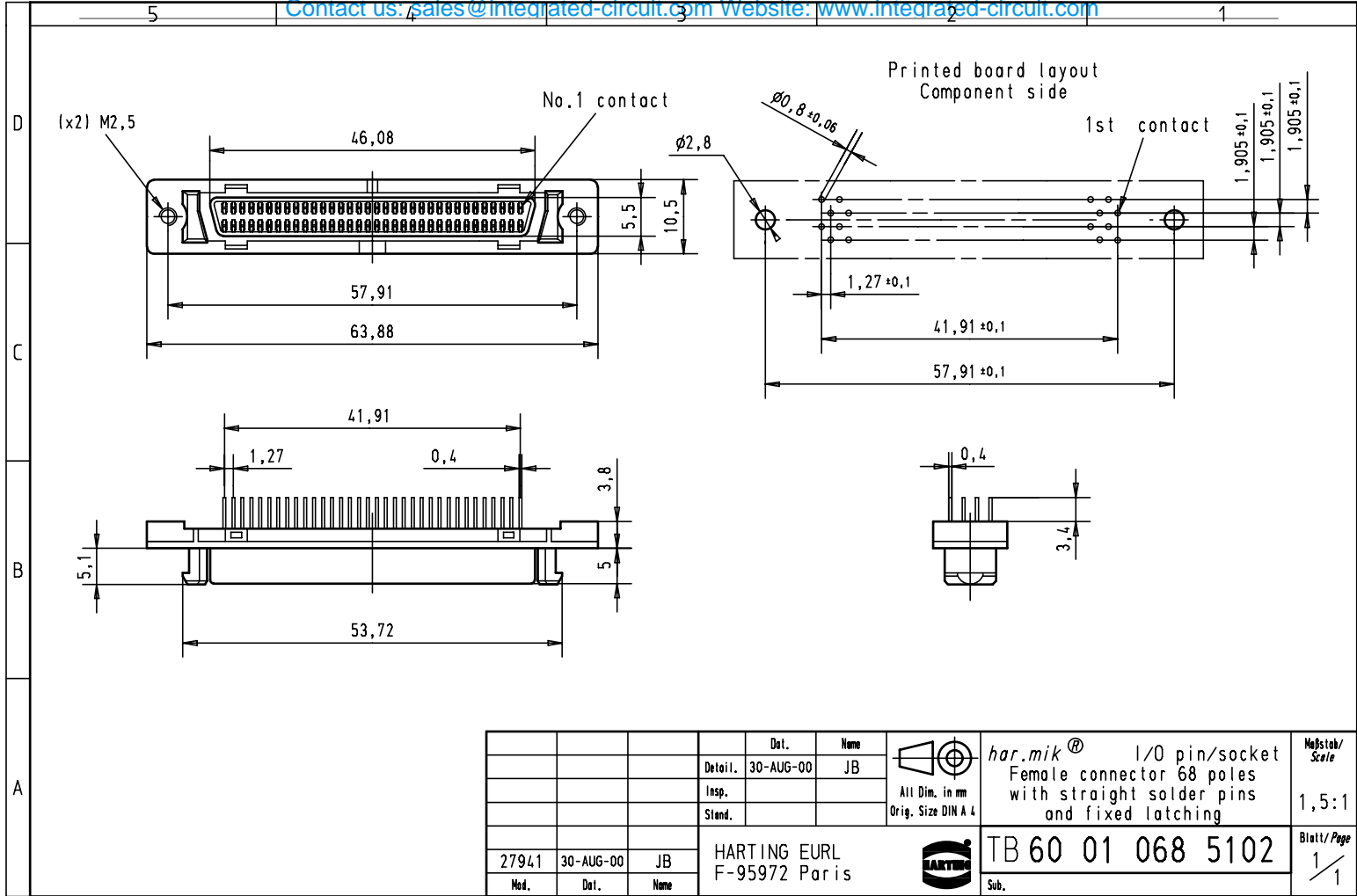
Click to view price, real time Inventory, Delivery & Lifecycle Information:



[Harting](#)

[60010685102](#)

For any questions, you can email us directly:

sales@integrated-circuit.com



				Det.	Name	 All Dim. in mm Orig. Size DIN A 4	har.mik ® I/O pin/socket Female connector 68 poles with straight solder pins and fixed latching	Maßstab/ Scale
			Detail.	30-AUG-00	JB			1,5:1
			Insp.					
			Stand.					Blatt/ Page
27941	30-AUG-00	JB	HARTING EURL F-95972 Paris				TB 60 01 068 5102	1 1
Mod.	Det.	Name					Sub.	