



Distributor of Harting: Excellent Integrated System Limited

Datasheet of 60040685344 - D-Sub Connector Receptacle, Female Sockets 68 Position Panel Mount IDC, Ribbon Cable

Contact us: sales@integrated-circuit.com Website: www.integrated-circuit.com

Excellent Integrated System Limited

Stocking Distributor

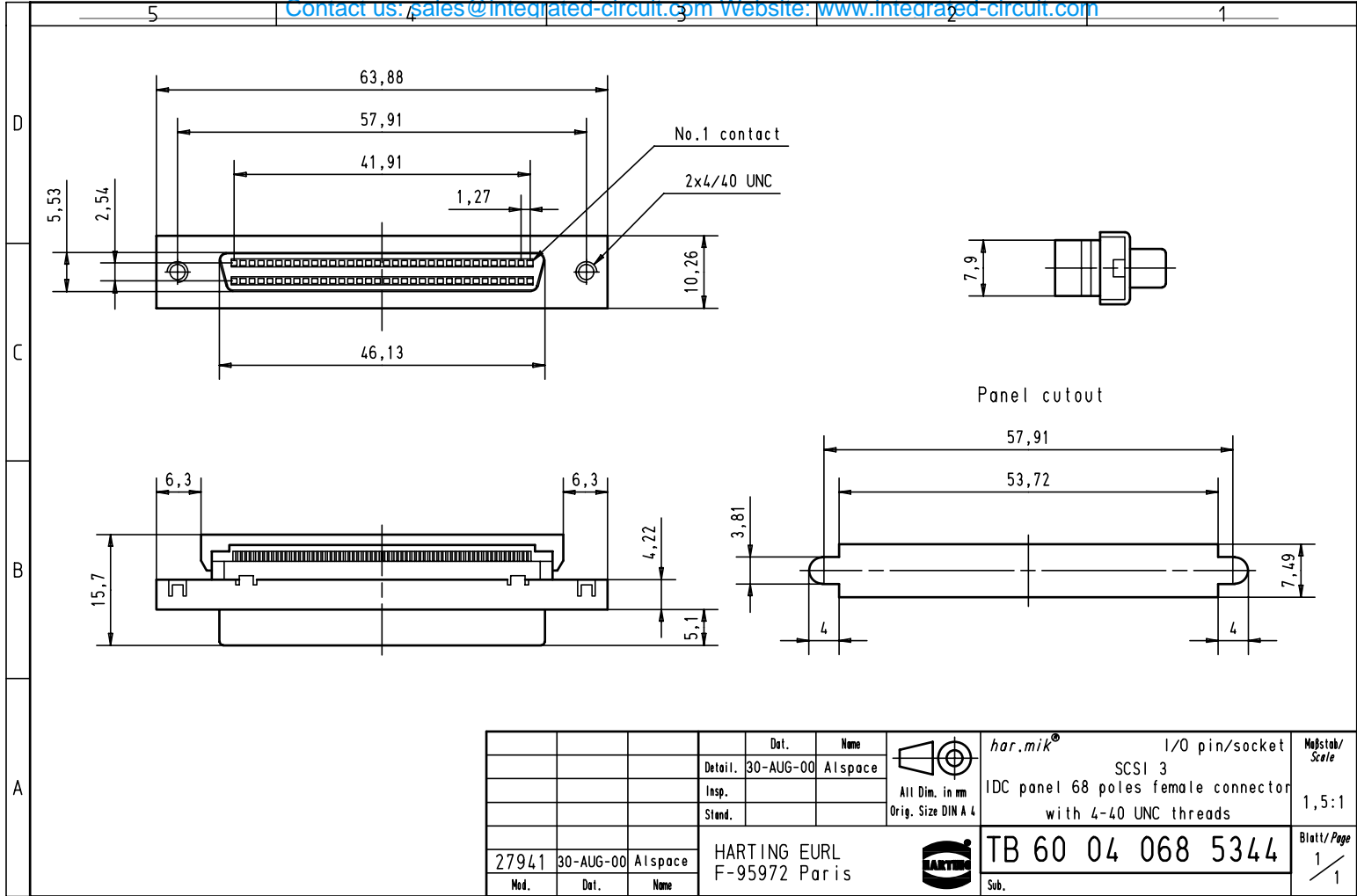
Click to view price, real time Inventory, Delivery & Lifecycle Information:



[Harting](#)

[60040685344](#)

For any questions, you can email us directly:

sales@integrated-circuit.com



				Det.	Name	 All Dim. in mm Orig. Size DIN A 4	<i>har.mik</i> [®] I/O pin/socket SCSI 3 IDC panel 68 poles female connector with 4-40 UNC threads	Maßstab/ Scale 1,5:1
			Detail.	30-AUG-00	Alspace			
			Insp.					
			Stand.					
27941	30-AUG-00	Alspace	HARTING EURL F-95972 Paris				TB 60 04 068 5344	Blatt/ Page 1 / 1
Mod.	Det.	Name	Sub.					