

## Excellent Integrated System Limited

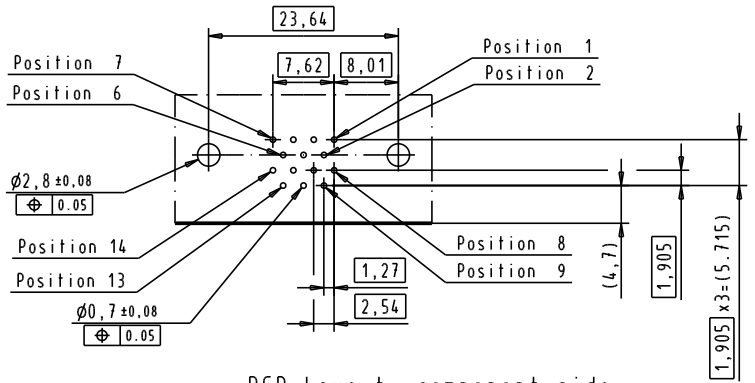
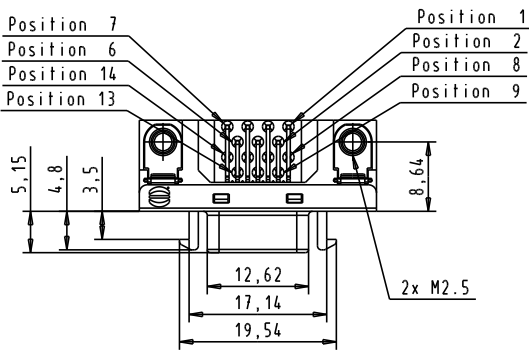
Stocking Distributor

Click to view price, real time Inventory, Delivery & Lifecycle Information:

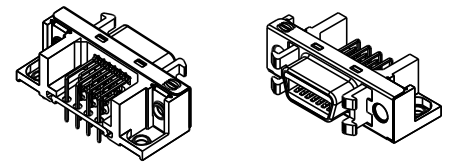
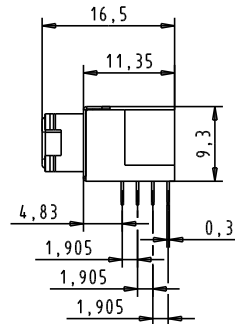
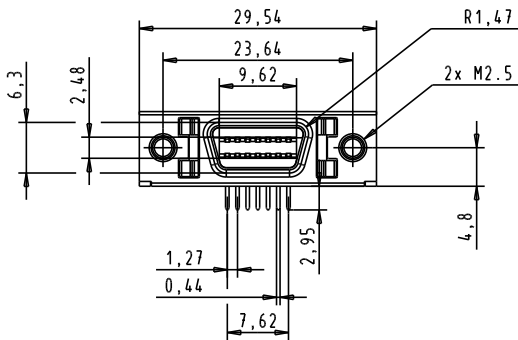
[Harting](#)  
[60110145732](#)

For any questions, you can email us directly:  
[sales@integrated-circuit.com](mailto:sales@integrated-circuit.com)

Alle Rechte vorbehalten/ All rights reserved



PCB Layout: component side



According to IEC 61076-3-100

			Det.	Name		har.mik	1/0 bellow	Moßstab/ Scale
			Detail.	11Jul2006	ED			
			Insp.			All Dim. in mm	14 poles female SMC	1.5:1
			Stand.			Orig. Size DIN A 4	with angled solder pins, thread hole M2.5, fixed latches	
33795	07Aug2006	ED	HARTING EURL F-95972 Paris				TB 60 11 014 5732	Blatt/ Page 1 / 1
33781	12Jul2006	ED						
Mod.	Det.	Name					Sub.	