

Excellent Integrated System Limited

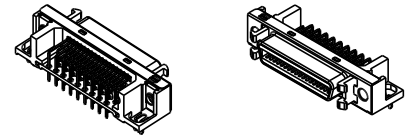
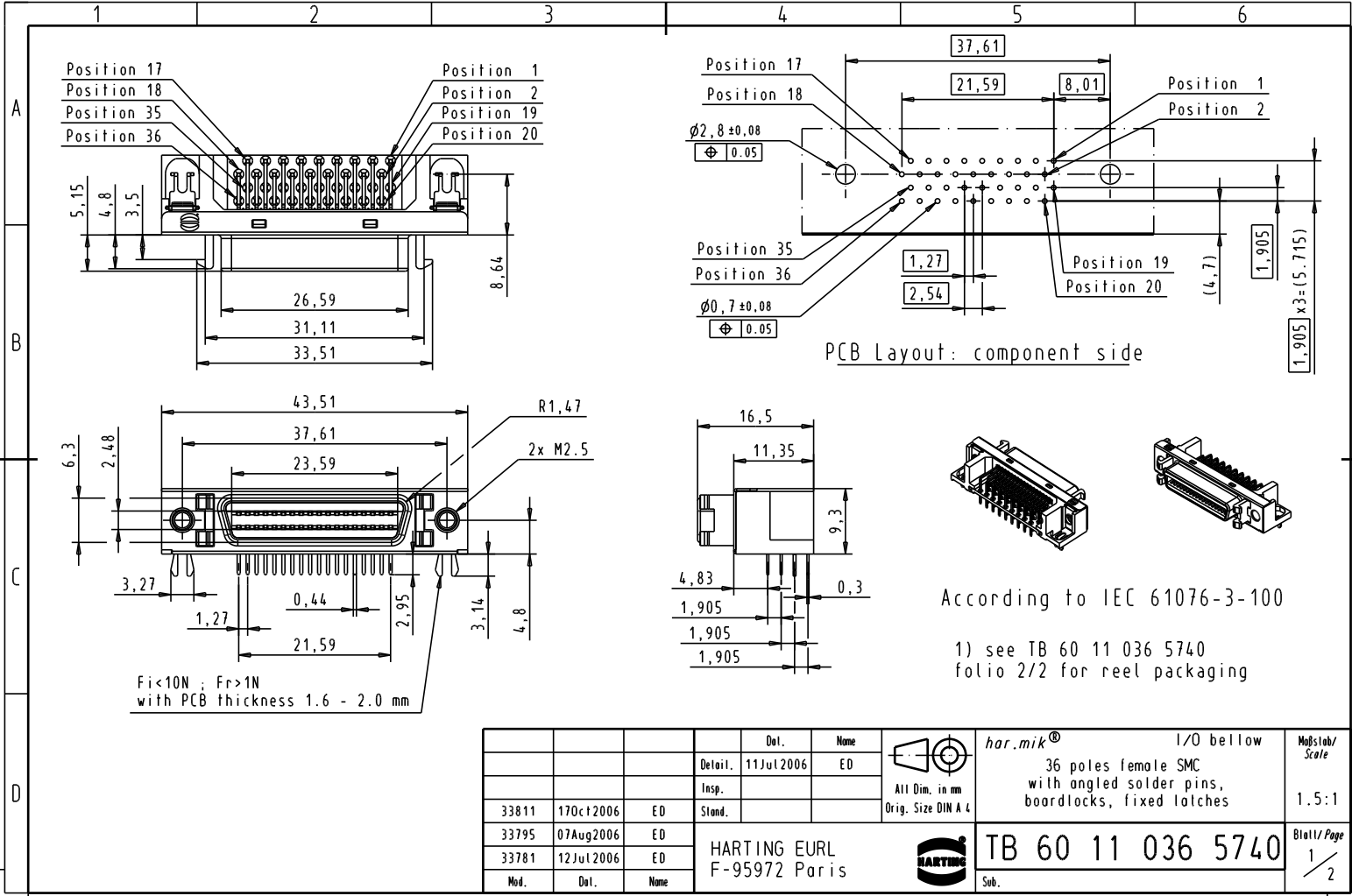
Stocking Distributor

Click to view price, real time Inventory, Delivery & Lifecycle Information:

[Harting](#)
[60110365740](#)

For any questions, you can email us directly:
sales@integrated-circuit.com

Alle Rechte vorbehalten/ All rights reserved



According to IEC 61076-3-100
1) see TB 60 11 036 5740 folio 2/2 for reel packaging

			Del.	Name	 har.mik® I/O bellow 36 poles female SMC with angled solder pins, boardlocks, fixed latches	Moßstab/ Scale	
			Detail.	11 Jul 2006		ED	1.5:1
			Insp.				
33811	170ct2006	ED	Stand.			1.5:1	
33795	07Aug2006	ED					
33781	12Jul2006	ED				1.5:1	
Mod.	Del.	Name	HARTING EURL F-95972 Paris				TB 60 11 036 5740 Sub.