

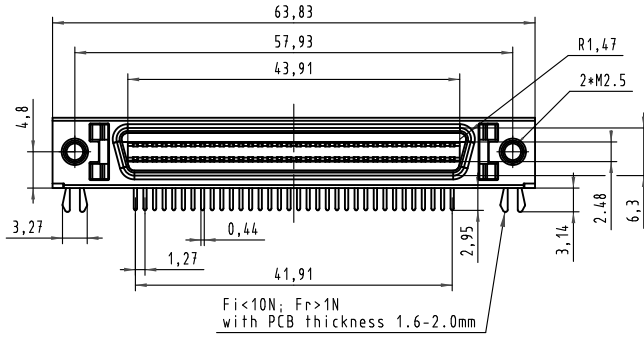
Excellent Integrated System Limited

Stocking Distributor

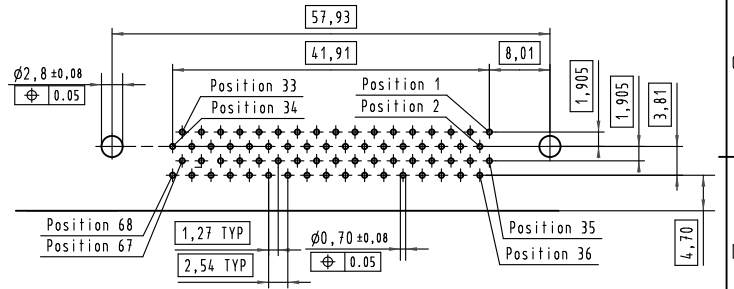
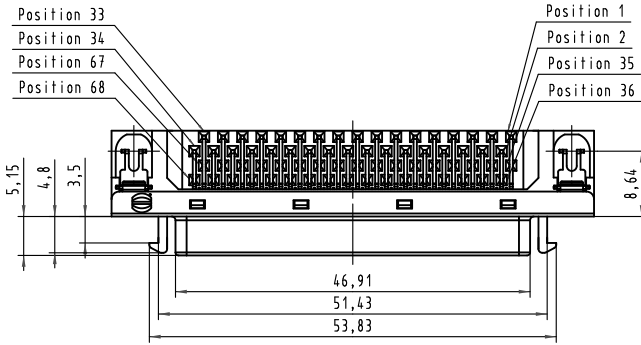
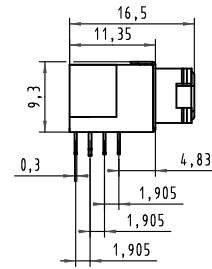
Click to view price, real time Inventory, Delivery & Lifecycle Information:

[Harting](#)
[60110685740](#)

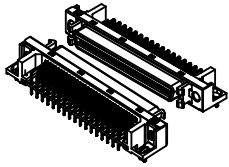
For any questions, you can email us directly:
sales@integrated-circuit.com



Fi<10N; Fr>1N
with PCB thickness 1.6-2.0mm



PCB layout: component side



According to IEC 61076-3-100
1)see TB 60 11 068 5740 folio 2/2
for reel packaging.

All Dimensions in mm Original Size DIN A 3			Techn. Character.			Free size tolerances		
			Del.	Name	Scale	har.mik® I/O bellow		
			Detail: 29-OCT-09	Chris.W	2:1	68P Har.mik female SMC with angled solder pins, boardLocks, fixed latches		
			Insp.					
			Stand.					
EC01456	13-Apr-10	J.Sheng	Zhuhai Harting Limited			TB 60 11 068 5740		Page 1/2
31770	29-OCT-09	Chris.W						
Mod.	Dat.	Name				Sub.		