



**Distributor of Molex Connector Corporation: Excellent Integrated System Limited**  
Datasheet of 0192730009 - Connector Quick Connect Receptacle 18-22 AWG 0.250"  
(6.35mm) Crimp

Contact us: [sales@integrated-circuit.com](mailto:sales@integrated-circuit.com) Website: [www.integrated-circuit.com](http://www.integrated-circuit.com)

---

## **Excellent Integrated System Limited**

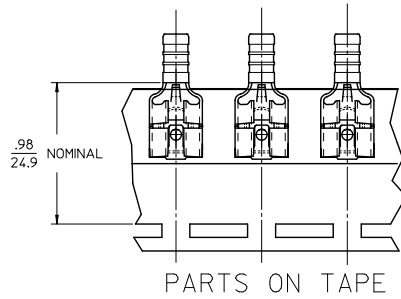
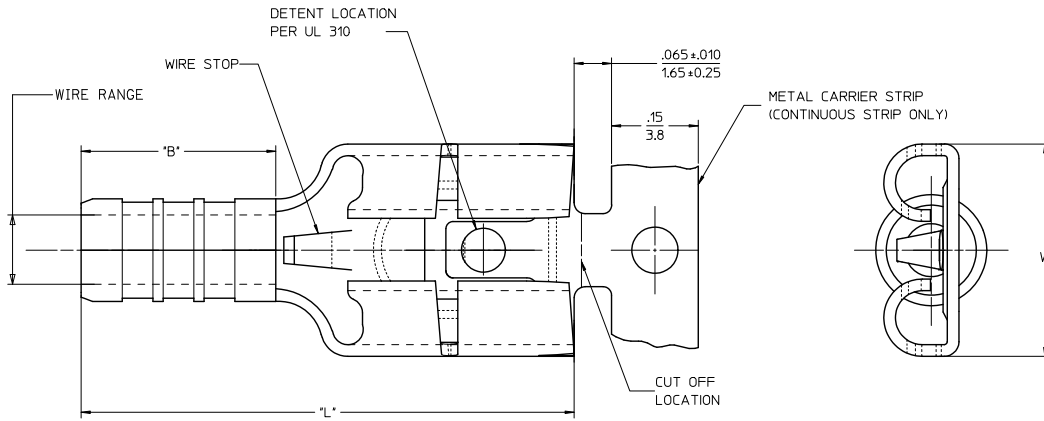
Stocking Distributor

Click to view price, real time Inventory, Delivery & Lifecycle Information:

[Molex Connector Corporation](#)  
[0192730009](#)

For any questions, you can email us directly:  
[sales@integrated-circuit.com](mailto:sales@integrated-circuit.com)

LOOSE PIECE		TAPE MOUNTED		SPECIFICATIONS						
MATERIAL NUMBER	ENGINEERING NUMBER	MATERIAL NUMBER	ENGINEERING NUMBER	WIRE RANGE AWG	WIRE RANGE MM	WIRE RANGE TAB SIZE	WIRE RANGE THICKNESS	WIRE RANGE MAX.	WIRE RANGE MAX.	WIRE RANGE MAX.
192730007	AA-1140-LIF	192730009	AA-1140T-LIF	22-18/	0.25-1.5	.250x.032 / 6.35x0.81	.016 / 0.41	.67 / 17.0	.21 / 5.3	.31 / 7.9
192730008	BB-1141-LIF	192730010	BB-1141T-LIF	16-14/	1.0-2.5	.250x.032 / 6.35x0.81	.016 / 0.41	.67 / 17.0	.21 / 5.3	.31 / 7.9



NOTES:

1. MATERIALS:  
TERMINAL: MATTE-TIN PLATED BRASS
2. PRODUCT SPECIFICATION: PS-19902-012
3. PARTS ARE ROHS COMPLIANT

FERRULE DESCR. CONT. P/N EC NO: VINA2009-07/61 DRAWN: ETHRODAHL 2010/10/01 CHKD: JMACNEIL 2010/10/01 APPR: JMACNEIL 2011/01/06 REV A	QUALITY SYMBOLS ▽=0 ▽=0	GENERAL TOLERANCES (UNLESS SPECIFIED)		DIMENSION STYLE		SCALE	DESIGN UNITS	THIRD ANGLE PROJECTION	
				IN/MM		---	INCH		
		4 PLACES	± .005	± .005	DRAWN BY	DATE	TITLE		
		3 PLACES	± .005	± .005	ETHRODAHL	2010/10/01	QUIXON LOW INSERT FORCE UNINSULATED QUICK DISC KRIMPTITE 22-14 AWG		
2 PLACES	± 0.13	± .010	2 PLACES	± 0.13	± .010	CHECKED BY	DATE	MOLEX INCORPORATED	
1 PLACE	± 0.25	± .020	1 PLACE	± 0.25	± .020	JMACNEIL	2011/01/06		
ANGULAR ± 1/2°		DRAFT WHERE APPLICABLE MUST REMAIN WITHIN DIMENSIONS		SEE CHART		DOCUMENT NO.		SHEET NO.	
						SD-19273-001		1 OF 1	