

Excellent Integrated System Limited

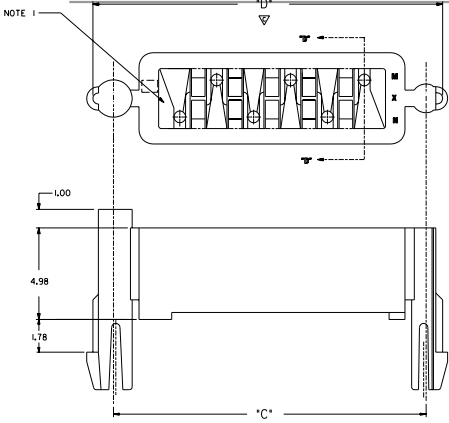
Stocking Distributor

Click to view price, real time Inventory, Delivery & Lifecycle Information:

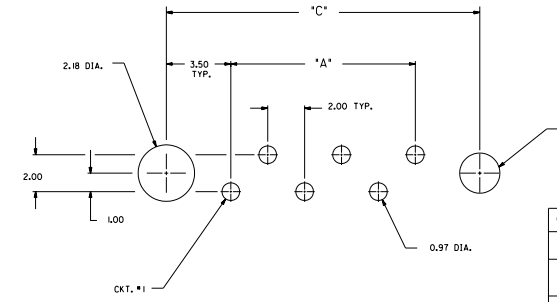
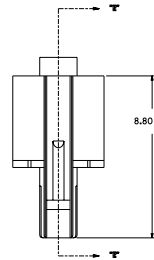
[Molex Connector Corporation](#)
[0304530600](#)

For any questions, you can email us directly:

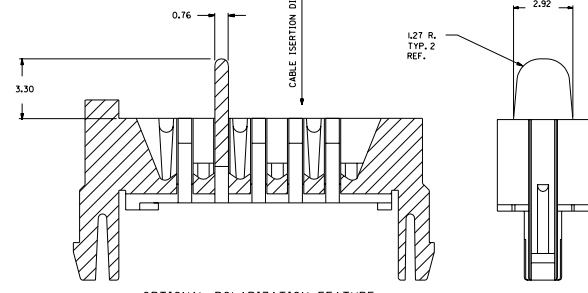
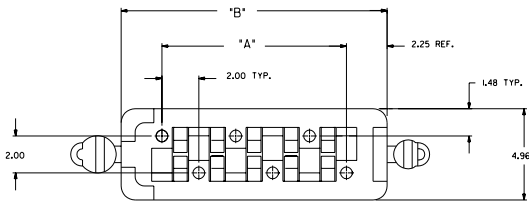
sales@integrated-circuit.com



NOTES:
 1. FLASH ON HOLE PERIMETER TO BE .08 MAX.
 2. THE "X" OR BLANK PRECEDING THE ITEM NO. INDICATES IT'S NON-AVAILABILITY OR AVAILABILITY, RESPECTIVELY.
 3. PRODUCT SPECIFICATION 30452-0000 APPLIES.



RECOMMENDED P.C. BOARD LAYOUT
 BOARD THICKNESS 1.57
 BOARD TOLERANCE ± .05



OPTIONAL POLARIZATION FEATURE:
 LOCATED BETWEEN CIRCUITS 2 & 3
 (SEE CHART SHT. 2)

MATERIAL: POLYESTER, VALOX 457 7.5% GLASS FILLED
 POLYESTER OR EQUIVALENT
 COLOR : WHITE

SECTION "D"- "D"
 ROTATED 90°

SECTION "E"- "E"

20	19	18	17	16	15	14	13	12	11	10	9	8	7	6	5	4	3	2	1
CORRECTED DIM. 'D'																			
EEN = 45-0007																			
DIM #4-09-23																			
CHANGED DIM. C-FROM																			
1.0 TO 1.18																			
NOTE 3																			
SPM #4-0-28																			
POSED CRITICAL DIM.																			
CORRECTED PEG																			
FUNCTIONALLY																			
EEN = U3550																			
SPM 93-05-29																			
UPDATED PEG																			
GEOMETRY																			
EEN = U3-0827																			
SPM 93-05-28																			
CHANGED DIM. FROM																			
2.30 TO 3.30																			
EEN = U3-0847																			
SPM 93-04-27																			
DELETED 'C'																			
ON PLAN VIEW																			
DELETED 125 REF																			
RELETED REF'S																			
EEN = U3-0847																			
SPM 93-05-16																			
EEN NO. 12411																			
ADDED DIM. C																			
2.14 MADE ANGLE																			
NOTE 10 TO																			
CHART 1.151.00																			
WAS 1.18																			
REV. 02/02 P/W'S																			
EEN = U3-0847																			
SPM 93-05-17																			
L27 REF. WAS 4.98																			
L76 REF. WAS 1.18																			
L27 REF. WAS 1.27																			
L76 REF. WAS 1.25																			
ADDED DIM. C																			
FROM 1.18 TO 1.25																			
EEN = U3-0847																			
SPM 93-05-17																			
ADDED 100 HIGH																			
POST. OF 8-29-92																			
UPDATED DIM																			
LEG 05-27-92																			
CHANGED MATERIAL																			
MATERIAL 02-04-92																			
REVISED BOARD																			
LOCKS																			
LEG 02-05-92																			
MATERIAL WAS NYLON																			
ADD OPTIONAL																			
POLARIZATION																			
FEATURE																			
FOR 01/26/94																			
EEN = U3-0847																			
SPM 93-05-17																			
REV. LEAD-IN																			
ON END OF TS.																			
EEN = U3-0847																			
SPM 93-05-17																			
ADD MATERIAL NOTE																			
REV. P.C.B HOLE																			
LOCK SIZE																			
AND BOARD																			
LOCK SIZE																			
EEN = U3-0847																			
SPM 93-05-17																			
ADD 125 REF																			
3																			
AND 225 REF.																			
EEN = U3-0847																			
SPM 93-05-17																			
REV. PEG																			
EEN = U3-0829																			
SPM 93-05-17																			
WAS 4MM HIGH																			
EEN = U3-0847																			
SPM 93-05-17																			
REVISING																			
REVISE ONLY ON CAD SYSTEM																			
CABLE HOLDER (VERTICAL)																			
2.00 PITCH																			
MOLDEX INCORPORATED																			
REV. 1991																			
OF 2 191 / 3 / 7																			
SEE CHART																			
SD-30453-***																			
REV. 1991																			
OF 2 191 / 3 / 7																			
REV. 1991																			
OF 2 191 / 3 / 7																			

NOTE 2	ITEM NO.	CKT. *	DIM. "A"	DIM. "B"	DIM. "C"	DIM. "D"	POLARIZATION	NO. OF CABLE RET. FINGERS
	304-53-0400	4	6.00	10.50	15.00	14.90	NOT AVAILABLE	3
X	304-53-0500	5	8.00	12.50	15.00	16.90	YES	4
	304-53-0600	6	10.00	14.50	17.00	18.90	YES	5
X	304-53-0700	7	12.00	16.50	19.00	20.90	YES	6
	304-53-0800	8	14.00	18.50	21.00	22.90	YES	7
	304-53-0900	9	16.00	20.50	23.00	24.90	YES	8
	304-53-1000	10	18.00	22.50	25.00	26.90	YES	9
	304-53-1100	11	20.00	24.50	27.00	28.90	YES	10
	304-53-1200	12	22.00	26.50	29.00	30.90	YES	10 5 AT EACH END
X	304-53-1300	13	24.00	28.50	31.00	32.90	YES	10 5 AT EACH END
X	304-53-1400	14	26.00	30.50	33.00	34.90	YES	10 5 AT EACH END
X	304-53-1500	15	28.00	32.50	35.00	36.90	YES	10 5 AT EACH END
X	304-53-1600	16	30.00	34.50	37.00	38.90	YES	10 5 AT EACH END
X	304-53-1700	17	32.00	36.50	39.00	40.90	YES	10 5 AT EACH END
X	304-53-1800	18	34.00	38.50	41.00	42.90	YES	10 5 AT EACH END
X	304-53-1900	19	36.00	40.50	43.00	44.90	YES	10 5 AT EACH END
X	304-53-2000	20	38.00	42.50	45.00	46.90	YES	10 5 AT EACH END
X	304-53-2100	21	40.00	44.50	47.00	48.90	YES	10 5 AT EACH END

G	SEE SHEET I
F	SEE SHEET I
E	SEE SHEET I
D	SEE SHEET I
C	SEE SHEET I
B	SEE SHEET I
A	SEE SHEET I
10	SEE SHEET I
9	SEE SHEET I
8	SEE SHEET I

REVISED DRAWING	DATE	BY	CHKD	APPD	REV.	DATE	BY	CHKD	APPD
0					0				
REVISE ONLY ON CAD SYSTEM									
CABLE HOLDER 2.00 PITCH									
MOLAX INCORPORATED									
SEE CHART									
SD-30453-***									