

Excellent Integrated System Limited

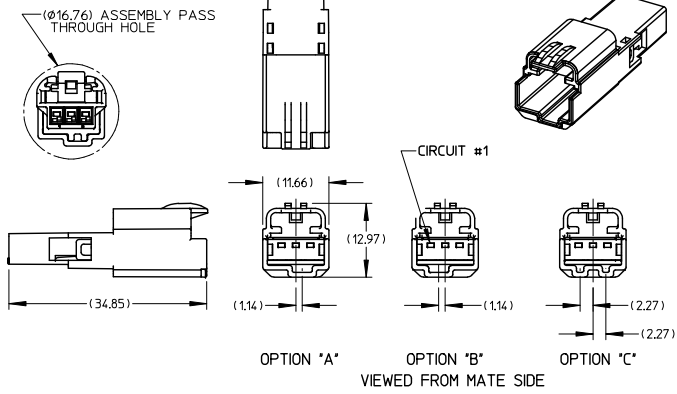
Stocking Distributor

Click to view price, real time Inventory, Delivery & Lifecycle Information:

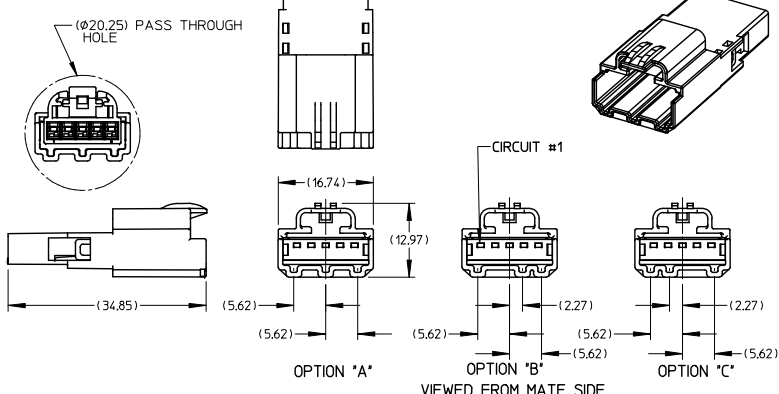
[Molex Connector Corporation](#)
[0310731041](#)

For any questions, you can email us directly:
sales@integrated-circuit.com

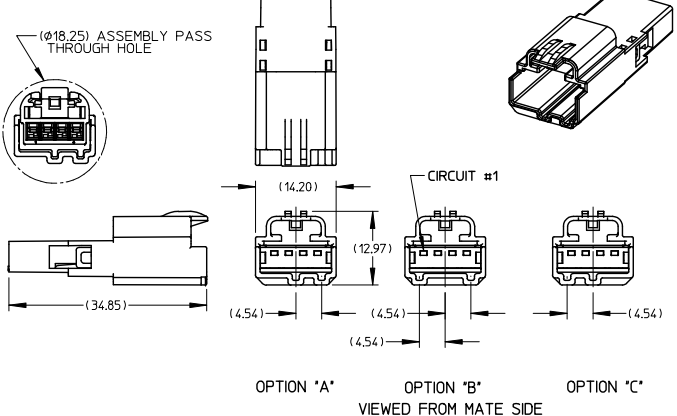
3 WAY MALE HOUSING ASSEMBLY WITHOUT XMAS TREE (VIEWED FROM MATE SIDE)



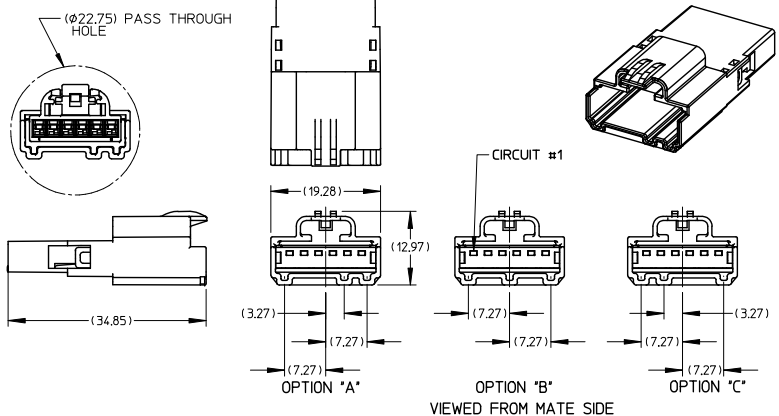
5 WAY MALE HOUSING ASSEMBLY WITHOUT XMAS TREE (VIEWED FROM MATE SIDE)



4 WAY MALE HOUSING ASSEMBLY WITHOUT XMAS TREE (VIEWED FROM MATE SIDE)



6 WAY MALE HOUSING ASSEMBLY WITHOUT XMAS TREE (VIEWED FROM MATE SIDE)

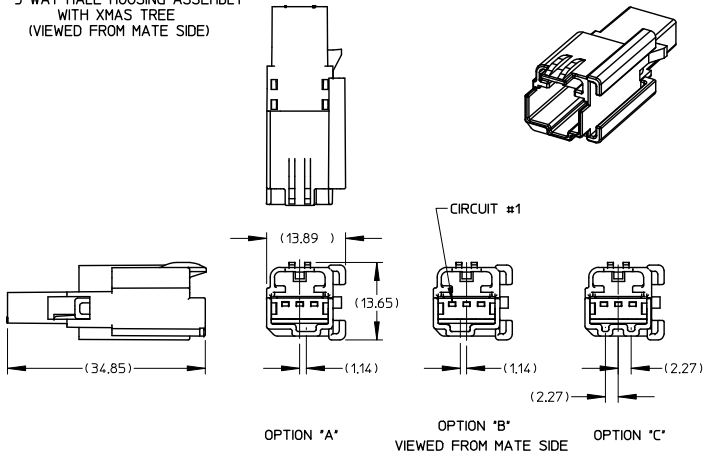


- NOTES:
1. MATERIAL: HOUSING: SPS GLASS FILLED, COLOR SEE CHART. TPA: PBT.
 2. PRODUCT SPECIFICATION: PS-31067-0001.
 3. PACKAGING SPECIFICATION: DRAWING PK-31301-067.
 4. MATES WITH: SEE SALES DRAWINGS SD-31109-003.

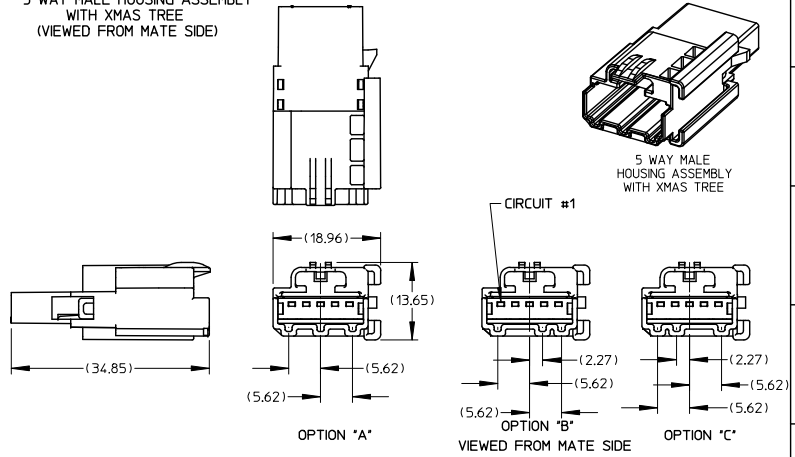
EC NO: HAU/2009-1155
 DRW: THERFUR/09/05/12
 CHK: TANGEL/09/05/14
 APPR: MKNACK/2009/05/14
 REV: DESCRIPTION
 E1

QUALITY SYMBOLS	GENERAL TOLERANCES (UNLESS SPECIFIED)		SCALE	DESIGN UNITS	THIRD ANGLE PROJECTION	REVISE ON CAD ONLY
	mm	INCH	2:1	METRIC		
▽-0	4 PLACES ±---	±---	DIMENSION STYLE		MALE ASSEMBLY CHARTED SALES DRAWING	
▽-0	3 PLACES ±---	±---	MM ONLY			
	2 PLACES ±0.13	±---	DRAWN BY DATE		MOLEX INCORPORATED	
	1 PLACE ±0.25	±---	DEMO 01/04/04			
	ANGULAR ± 1/2°		CHECKED BY DATE		SEE CHART	
	DRAFT WHERE APPLICABLE MUST REMAIN WITHIN DIMENSIONS		APPROVED BY DATE			
			MATERIAL NO.		DOCUMENT NO.	SHEET NO.
			THIS DRAWING CONTAINS INFORMATION THAT IS PROPRIETARY TO MOLEX INCORPORATED AND SHOULD NOT BE USED WITHOUT WRITTEN PERMISSION		SD-31110-003	1 OF 3

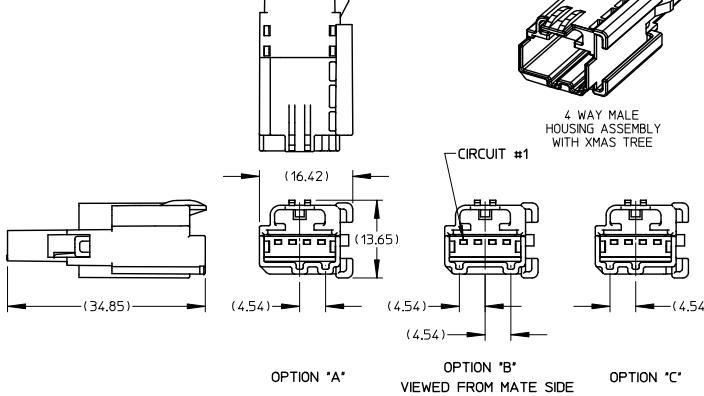
3 WAY MALE HOUSING ASSEMBLY WITH XMAS TREE (VIEWED FROM MATE SIDE)



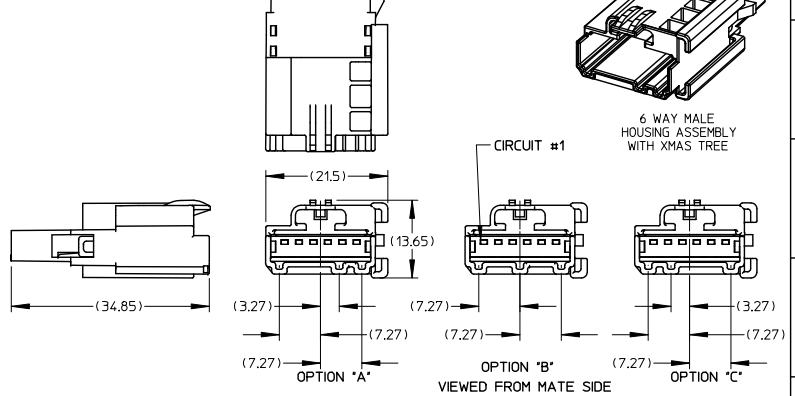
5 WAY MALE HOUSING ASSEMBLY WITH XMAS TREE (VIEWED FROM MATE SIDE)



4 WAY MALE HOUSING ASSEMBLY WITH XMAS TREE (VIEWED FROM MATE SIDE)



6 WAY MALE HOUSING ASSEMBLY WITH XMAS TREE (VIEWED FROM MATE SIDE)



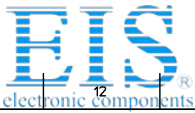
EC NO: UAU2009-1155
DRAWN: THEREFURT009/05/12
CHKD: TSMITH 2009/05/14
APPR: TANGELLO009/05/14

QUALITY SYMBOLS	DESCRIPTION
▽-0	
▽-0	

GENERAL TOLERANCES (UNLESS SPECIFIED)	
	INCH
4 PLACES	±.005
3 PLACES	±.004
2 PLACES	±.003
1 PLACE	±.002
ANGULAR ±1/2°	

SCALE	DESIGN UNITS
2:1	METRIC

THIRD ANGLE PROJECTION	REVISE ON CAD ONLY
TITLE MALE ASSEMBLY CHARTED SALES DRAWING	
MATERIAL NO. MOLEX INCORPORATED	
ENTER-PART	DOCUMENT NO. SD-31110-003
SHEET NO. 2 OF 3	



13 12 11 10 9 8 7 6 5 4 3 2 31110

BILL OF MATERIALS

BILL OF MATERIALS

ASSEMBLY PART NUMBER	DESCRIPTION	XMAS TREE ATTACHMENT FEATURE	PART NUMBER	DESCRIPTION	COLOR
31067-1040	3 WAY MALE ASSEMBLY POLARIZATION 'A'	NO	31112-0030	MALE HOUSING	BLACK
			31114-0030	TPA	NATURAL (WHITE)
31067-1041	3 WAY MALE ASSEMBLY POLARIZATION 'B'	NO	31112-0031	MALE HOUSING	GRAY
			31114-0030	TPA	NATURAL (WHITE)
31067-1042	3 WAY MALE ASSEMBLY POLARIZATION 'C'	NO	31112-0032	MALE HOUSING	BROWN
			31114-0030	TPA	NATURAL (WHITE)
31067-1070	3 WAY MALE ASSEMBLY POLARIZATION 'A'	YES	31112-1030	MALE HOUSING	BLACK
			31114-0030	TPA	NATURAL (WHITE)
31067-1071	3 WAY MALE ASSEMBLY POLARIZATION 'B'	YES	31112-1031	MALE HOUSING	GRAY
			31114-0030	TPA	NATURAL (WHITE)
31067-1072	3 WAY MALE ASSEMBLY POLARIZATION 'C'	YES	31112-1032	MALE HOUSING	BROWN
			31114-0030	TPA	NATURAL (WHITE)
31068-1040	4 WAY MALE ASSEMBLY POLARIZATION 'A'	NO	31166-0040	MALE HOUSING	BLACK
			31167-0040	TPA	NATURAL (WHITE)
31068-1041	4 WAY MALE ASSEMBLY POLARIZATION 'B'	NO	31166-0031	MALE HOUSING	GRAY
			31167-0040	TPA	NATURAL (WHITE)
31068-1042	4 WAY MALE ASSEMBLY POLARIZATION 'C'	NO	31166-0032	MALE HOUSING	BROWN
			31167-0040	TPA	NATURAL (WHITE)
31068-1070	4 WAY MALE ASSEMBLY POLARIZATION 'A'	YES	31166-1040	MALE HOUSING	BLACK
			31167-0040	TPA	NATURAL (WHITE)
31068-1071	4 WAY MALE ASSEMBLY POLARIZATION 'B'	YES	31166-1041	MALE HOUSING	GRAY
			31167-0040	TPA	NATURAL (WHITE)
31068-1072	4 WAY MALE ASSEMBLY POLARIZATION 'C'	YES	31166-1042	MALE HOUSING	BROWN
			31167-0040	TPA	NATURAL (WHITE)

ASSEMBLY PART NUMBER	DESCRIPTION	XMAS TREE ATTACHMENT FEATURE	PART NUMBER	DESCRIPTION	COLOR
31072-1040	5 WAY MALE ASSEMBLY POLARIZATION 'A'	NO	31169-0050	MALE HOUSING	BLACK
			31170-0050	TPA	NATURAL (WHITE)
31072-1041	5 WAY MALE ASSEMBLY POLARIZATION 'B'	NO	31169-0051	MALE HOUSING	GRAY
			31170-0050	TPA	NATURAL (WHITE)
31072-1042	5 WAY MALE ASSEMBLY POLARIZATION 'C'	NO	31169-0052	MALE HOUSING	BROWN
			31170-0050	TPA	NATURAL (WHITE)
31072-1070	5 WAY MALE ASSEMBLY POLARIZATION 'A'	YES	31169-1050	MALE HOUSING	BLACK
			31170-0050	TPA	NATURAL (WHITE)
31072-1071	5 WAY MALE ASSEMBLY POLARIZATION 'B'	YES	31169-1051	MALE HOUSING	GRAY
			31170-0050	TPA	NATURAL (WHITE)
31072-1072	5 WAY MALE ASSEMBLY POLARIZATION 'C'	YES	31169-1052	MALE HOUSING	BROWN
			31170-0050	TPA	NATURAL (WHITE)
31073-1040	6 WAY MALE ASSEMBLY POLARIZATION 'A'	NO	31172-0060	MALE HOUSING	BLACK
			31173-0060	TPA	NATURAL (WHITE)
31073-1041	6 WAY MALE ASSEMBLY POLARIZATION 'B'	NO	31172-0061	MALE HOUSING	GRAY
			31173-0060	TPA	NATURAL (WHITE)
31073-1042	6 WAY MALE ASSEMBLY POLARIZATION 'C'	NO	31172-0062	MALE HOUSING	BROWN
			31173-0060	TPA	NATURAL (WHITE)
31073-1070	6 WAY MALE ASSEMBLY POLARIZATION 'A'	YES	31172-1060	MALE HOUSING	BLACK
			31173-0060	TPA	NATURAL (WHITE)
31073-1071	6 WAY MALE ASSEMBLY POLARIZATION 'B'	YES	31172-1061	MALE HOUSING	GRAY
			31173-0060	TPA	NATURAL (WHITE)
31073-1072	6 WAY MALE ASSEMBLY POLARIZATION 'C'	YES	31172-1062	MALE HOUSING	BROWN
			31173-0060	TPA	NATURAL (WHITE)

EC NO: HAU2009-1155 DRW: THERFUR09/05/12 CHK: TANGEL009/05/14 APPR: MKNACK 2009/05/14 REV: DESCRIPTION	QUALITY SYMBOLS	GENERAL TOLERANCES (UNLESS SPECIFIED)	SCALE 2:1 DESIGN UNITS METRIC	THIRD ANGLE PROJECTION	REVISE ON CAD ONLY
	▽-0	4 PLACES ± --- ± ---	DIMENSION STYLE MM ONLY	MALE ASSEMBLY CHARTED SALES DRAWING	
	▽-0	3 PLACES ± --- ± ---	DRAWN BY DEMEO DATE 01/04/04	MOLEX INCORPORATED	
		2 PLACES ± 0.13 ± ---	CHECKED BY DATE	APPROVED BY DATE	MATERIAL NO. SEE CHART
	1 PLACE ± 0.25 ± ---	ANGULAR ± 1/2 °	SHEET NO. 3 OF 3		
		DRAFT WHERE APPLICABLE MUST REMAIN WITHIN DIMENSIONS	THIS DRAWING CONTAINS INFORMATION THAT IS PROPRIETARY TO MOLEX INCORPORATED AND SHOULD NOT BE USED WITHOUT WRITTEN PERMISSION		

1b_frame_C rev. A 11/01/98 12 11 10 9 8 7 6 5 4 3 2 1