

Excellent Integrated System Limited

Stocking Distributor

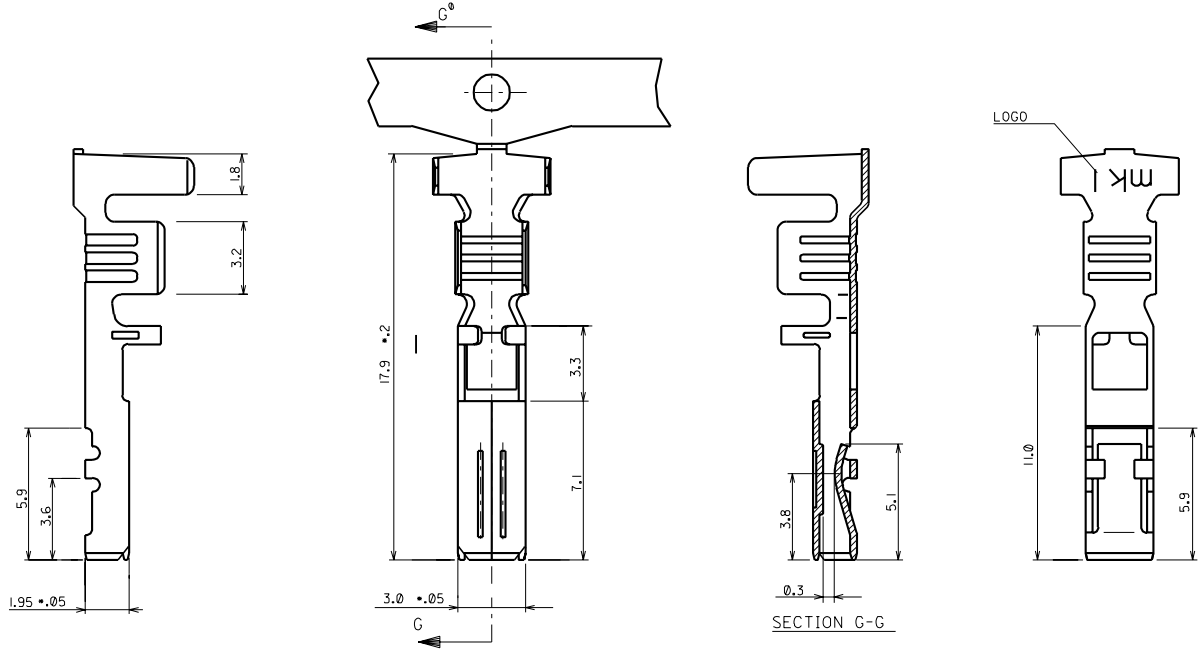
Click to view price, real time Inventory, Delivery & Lifecycle Information:

[Molex Connector Corporation](#)
[0350289902](#)

For any questions, you can email us directly:

sales@integrated-circuit.com

PROJECT NO. SIMILAR ITEM EDP NO. ENG. NO. SD35028-*****



NOTE

1. MATERIAL: PHOSPHOR BRONZE
THICKNESS : 0.30 ±0.02
WIDTH : 23.4 ± 0.08
2. PLATING: PREPLATING (REFLOW TREATMENT)
3. WIRE SIZE : AWG #18#*20 35028-9902
AWG #14#*20 35028-9802
AWG #18#*22 35028-9010
AWG #14#*20 35028-1112
AWG #14#*20 35028-1111



F	REVISE		96/05/15	MATERIAL	SEE NOTES	MOLEX-KOREA CO.,LTD.	
E	REVISE		96/05/09				
D	REVISE		96/04/09	GENERAL TOLERANCE	DIMENSION : ±0.15	DRAWN BY	CHK'D BY
C	REVISE		95-079 95/08/11	ANGLE : ±0.5°		H.J.KIM	
B	REVISE		94-011 94/06/25	DIMENSION CLASSIFICATION	▽ : CRITICAL ▼ : MAJOR	APP'D BY	SCALE 5/1
A	NEW RELEASE		91/12/26	() : REFERENCE		TITLE :	
LTR	REVISION RECORD	ECN	DATE	ASS'Y PART DESCRIPTION	ENG. NO.	070 FEMALE TERMINAL	
REVISE ONLY ON CAD SYSTEM						ENG. NO.	REV
						SD35028-*****	F

THIS DRAWING CONTAINS INFORMATION THAT IS PROPRIETARY TO MOLEX(KOREA) AND SHOULD NOT BE USED WITHOUT WRITTEN PERMISSION MX-A3(ANSI:290,420)