

## Excellent Integrated System Limited

Stocking Distributor

Click to view price, real time Inventory, Delivery & Lifecycle Information:

[Molex Connector Corporation](#)  
[0351910200](#)

For any questions, you can email us directly:

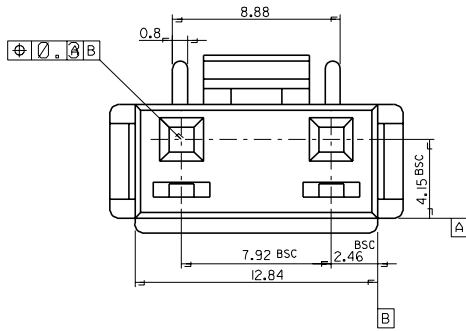
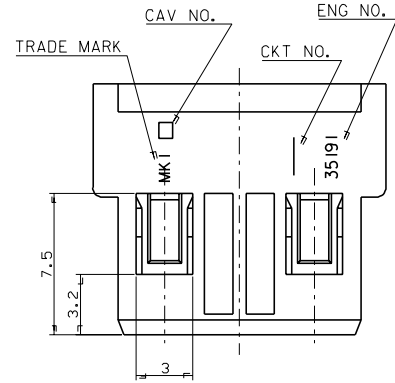
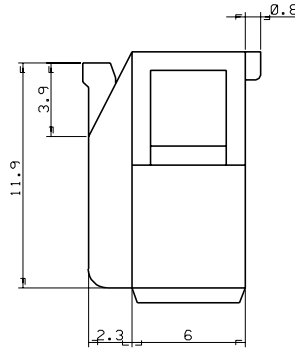
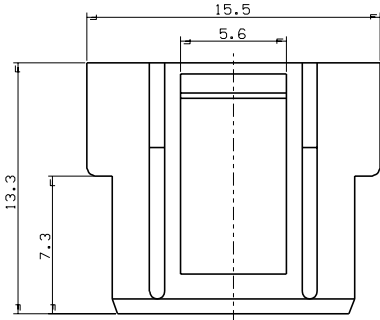
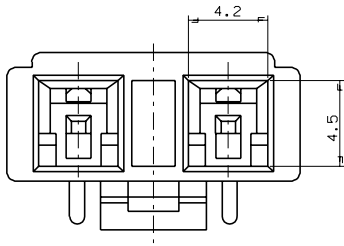
[sales@integrated-circuit.com](mailto:sales@integrated-circuit.com)

ENG. NO. SD 35191-0200

EDP NO. 35191-0200

SIMILAR ITEM 35156

PROJECT NO.



**NOTE**

1. MATERIAL : PBT UL94V-0 , NATURAL
2. USED TERMINAL : 35069-00
3. MATED WAFER ASS'Y : 35328-0210

		MATERIAL PBT (UL94V-0)		MOLEX MOLEX-KOREA CO.,LTD.	
		GENERAL TOLERANCE DIMENSION : ±0.2 ANGLE : °10		DRAWN BY H.S.SHIN	CHK'D BY
		DIMENSION CLASSIFICATION ▽ : CRITICAL ▼ : MAJOR ( ) : REFERENCE		APP'D BY	SCALE 5-1
A	NEW RELEASED	96-005	96/1/22	TITLE : 7.92 PITCH W/B CONN. POWER(2P) HOUSING	
LTR	REVISION RECORD	ECN	DATE	DESCRIPTION	ENG. NO.
REVISE ONLY ON CAD SYSTEM					SD 35191-0200
				SHEET	REV
				1/1	A

THIS DRAWING CONTAINS INFORMATION THAT IS PROPRIETARY TO MOLEX(KOREA) AND SHOULD NOT BE USED WITHOUT WRITTEN PERMISSION  
MX-A3(ANSI:290,420)