

## Excellent Integrated System Limited

Stocking Distributor

Click to view price, real time Inventory, Delivery & Lifecycle Information:

[Molex Connector Corporation](#)  
[0352700610](#)

For any questions, you can email us directly:

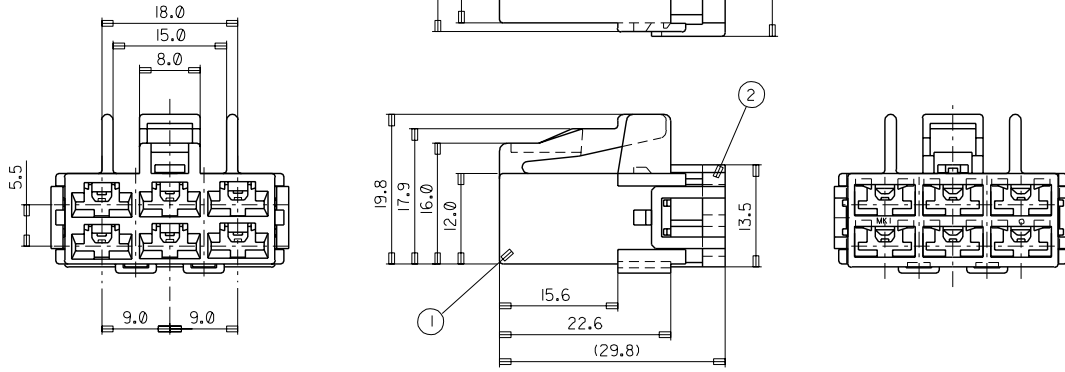
[sales@integrated-circuit.com](mailto:sales@integrated-circuit.com)

ENG. NO. SD 35270-0610

EDP NO.

SIMILAR ITEM

PROJECT NO.



|   | P/NO.      | PART NAME                | MATERIAL |
|---|------------|--------------------------|----------|
| ① | 35270-0690 | POWERMATE FEMALE HS'G 6P | PBT      |
| ② | 35271-0680 | POWERMATE FEMALE TPA 6P  | PBT      |

- APPLICABLE TERMINAL : 35427-97\*\*,98\*\*,99\*\*  
35430-1700,1800,1900

|                           |                 |          |   |  |  |  |
|---------------------------|-----------------|----------|---|--|--|--|
|                           |                 |          | MATERIAL SEE TABLE  |  | molex MOLEX-KOREA CO.,LTD.             |  |
|                           |                 |          | GENERAL TOLERANCE<br>DIMENSION : *0.20<br>ANGLE : *0.20             |  | DRAWN BY<br>961112 J.K.OH              |  |
|                           |                 |          | DIMENSION CLASSIFICATION<br>▽ : CRITICAL ▼ : MAJOR<br>◁ : REFERENCE |  | CHK'D BY                               |  |
| A                         | NEW RELEASE     | 971114   | ASS'Y PART  |  | SCALE 2 : 1                            |  |
| LTR                       | REVISION RECORD | ECN DATE | DESCRIPTION ENG. NO.  |  | TITLE:<br>POWERMATE FEMALE ASSY<br>-6P |  |
| REVISE ONLY ON CAD SYSTEM |                 |          |   |  | SHEET<br>1 / 1                         |  |
|                           |                 |          |   |  | ENG. NO.<br>SD 35270-0610              |  |
|                           |                 |          |   |  | REV<br>A                               |  |

THIS DRAWING CONTAINS INFORMATION THAT IS PROPRIETARY TO MOLEX(KOREA) AND SHOULD NOT BE USED WITHOUT WRITTEN PERMISSION  
MX-A3(ANSI:290,420)