

Excellent Integrated System Limited

Stocking Distributor

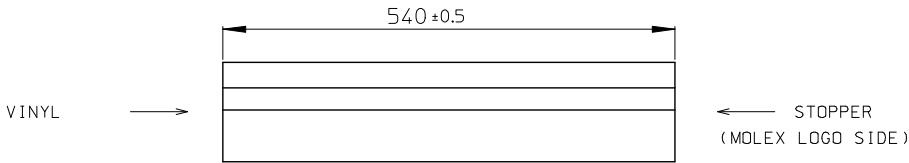
Click to view price, real time Inventory, Delivery & Lifecycle Information:

[Molex Connector Corporation](#)
[0353000250](#)

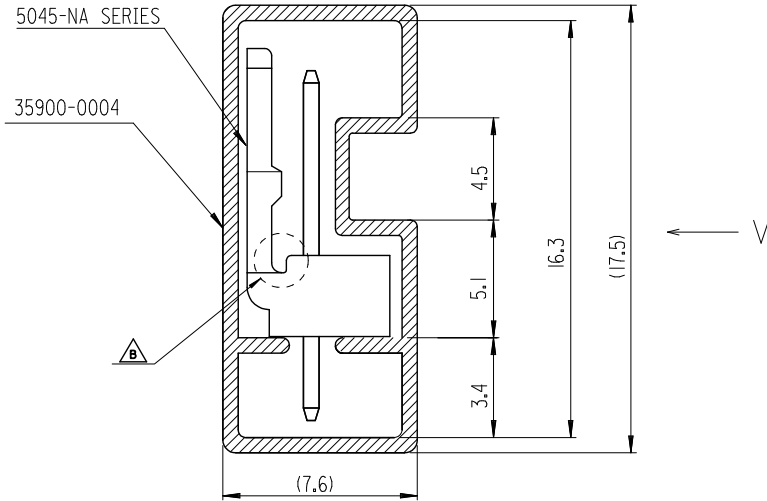
For any questions, you can email us directly:

sales@integrated-circuit.com

10 9 8 7 6 5 4 3 2 1



VIEW V



NOTES.

- MATERIAL : TUBE - TRANSLUCENT PVC
 ▲ WAFER - POLYAMIDE66(PA66), GLASS UNFILLED
- THICKNESS : 0.6mm ± 0.1mm
- A TUBE SHALL BE LOCKED WITH STOPPER & VINYL

LEGEND

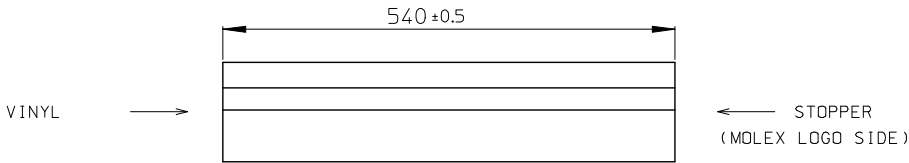
35300-**-5*
 COLOR : 0 --- IVORY ▲
 CKT (02, 03, 04,)

15	35300-155*	35300155*	5045-NA SERIES	
14	-145*	35300145*		
13	-135*	35300135*		
12	-125*	35300125*		
11	-115*	35300115*		
10	-105*	35300105*		
9	-095*	35300095*		
8	-085*	35300085*		
7	-075*	35300075*		
6	-065*	35300065*		
5	-055*	35300055*		
4	-045*	35300045*		
3	-035*	35300035*		
2	35300-025*	35300025*		USED
CKTS	ENG NO.	MAT'L NO.		ON.

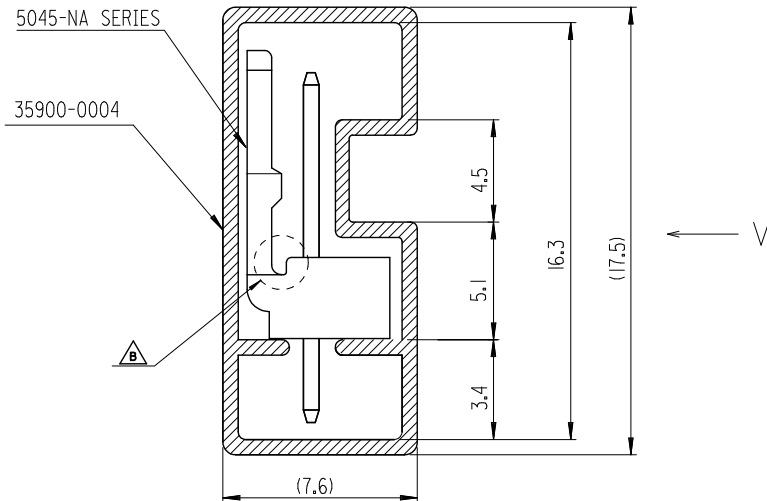
REVISED EC NO: KOR2014-0005 DRAWN:SKCHO 2013/07/11 CHKD:SKCHO 2013/07/11 APPR:YSKIM02 2013/10/18 REV DESCRIPTION	QUALITY SYMBOLS	GENERAL TOLERANCES (UNLESS SPECIFIED)	DIMENSION STYLE	SCALE	DESIGN UNITS	THIRD ANGLE PROJECTION
	▼=0 ▽=0	mm INCH 4 PLACES ± --- ± --- 3 PLACES ± --- ± --- 2 PLACES ± 0.20 ± --- 1 PLACE ± 0.30 ± --- 0 PLACE ± --- ± --- ANGULAR ± 1 °	MM ONLY	4.5/1	METRIC	DRAWN BY DATE HS.SHIN 1991/01/20 CHECKED BY DATE JK.OH 1991/01/20 APPROVED BY DATE CW.LEE 1991/01/20 MATERIAL NO. SEE TABLE SIZE A3 THIS DRAWING CONTAINS INFORMATION THAT IS PROPRIETARY TO MOLEX INCORPORATED AND SHOULD NOT BE USED WITHOUT WRITTEN PERMISSION

9 8 7 6 5 4 3 2 1

10 9 8 7 6 5 4 3 2 1



VIEW V



NOTES.

- MATERIAL : TUBE - TRANSLUCENT PVC
 ▲ WAFER - POLYAMIDE66(PA66), GLASS UNFILLED
- THICKNESS : 0.6mm ± 0.1mm
- A TUBE SHALL BE LOCKED WITH STOPPER & VINYL

LEGEND

35300-**-5*
 COLOR : 0 --- IVORY ▲
 CKT (02, 03, 04,)

15	35300-155*	35300155*	5045-NA SERIES	
14	-145*	35300145*		
13	-135*	35300135*		
12	-125*	35300125*		
11	-115*	35300115*		
10	-105*	35300105*		
9	-095*	35300095*		
8	-085*	35300085*		
7	-075*	35300075*		
6	-065*	35300065*		
5	-055*	35300055*		
4	-045*	35300045*		
3	-035*	35300035*		
2	35300-025*	35300025*		USED
CKTS	ENG NO.	MAT'L NO.		ON.

REVISED EC NO: KOR2014-0005 DRAWN:SKCHO 2013/07/11 CHKD:SKCHO 2013/07/11 APPR:YSKIM02 2013/10/18 REV DESCRIPTION	QUALITY SYMBOLS	GENERAL TOLERANCES (UNLESS SPECIFIED)	DIMENSION STYLE	SCALE	DESIGN UNITS	THIRD ANGLE PROJECTION
	▼=0 ▽=0	4 PLACES ± --- ± --- 3 PLACES ± --- ± --- 2 PLACES ± 0.20 ± --- 1 PLACE ± 0.30 ± --- 0 PLACE ± --- ± --- ANGULAR ± 1 °	MM ONLY	4.5/1	METRIC	⊙ □ THIRD ANGLE PROJECTION
B MATERIAL NO. SEE TABLE DRAFT WHERE APPLICABLE MUST REMAIN WITHIN DIMENSIONS			DRAWN BY HS.SHIN DATE 1991/01/20 CHECKED BY JK.OH DATE 1991/01/20 APPROVED BY CW.LEE DATE 1991/01/20	TITLE TUBE PACKAGED FOR 5045-NA SERIES		DOCUMENT NO. SD-35300-001 SHEET NO. 1 OF 1

9 8 7 6 5 4 3 2 1