

Excellent Integrated System Limited

Stocking Distributor

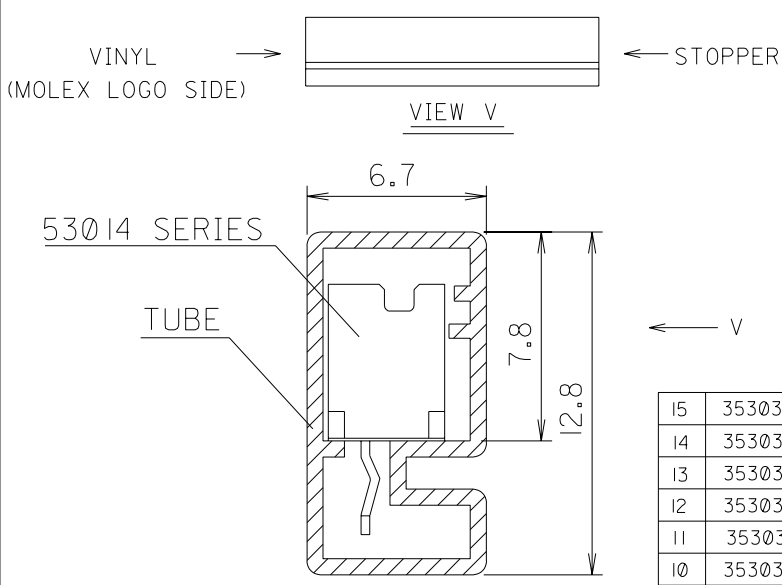
Click to view price, real time Inventory, Delivery & Lifecycle Information:

[Molex Connector Corporation](#)
[0353030350](#)

For any questions, you can email us directly:

sales@integrated-circuit.com

PROJECT NO. SD-35303-001
SIMILAR ITEM
DWG. NO. SD-35303-001



NOTES
1. TUBE : STOPPER & VINYL LOCKING TYPE
2. THICKNESS : 0.6+
3. LENGTH : 550mm

LEGEND 35303-** 5 *
COLOR : 0 --- NATURAL
1 --- BLACK
2 --- RED
3 --- YELLOW
4 --- BLUE
CKT (02, 03, 04, ...)

15	35303155*	35303-155*	8	35303085*	35303-085*	53014 SERIES	
14	35303145*	-145*	7	35303075*	-075*		
13	35303135*	-135*	6	35303065*	-065*		
12	35303125*	-125*	5	35303055*	-055*		
11	35303115*	-115*	4	35303045*	-045*		
10	35303105*	-105*	3	35303035*	-035*		
9	35303095*	35303-095*	2	35303025*	35303-025*		
CKTS	MAT'L NO.	ENG NO.	CKTS	MAT'L NO.	ENG NO.		USED ON

NEW RELEASED EC NO. KOR2004-0124 DRWN: K.S.KIM (040324) CHK: J.K.OH APPR: C.W.LEE	QUALITY SYMBOLS MAJOR = CRITICAL =	GENERAL TOLERANCES: (UNLESS SPECIFIED)		SCALE NONE	DESIGN UNITS <input checked="" type="checkbox"/> mm <input type="checkbox"/> INCH	THIRD ANGLE PROJECTION	DIMENSIONS: <input type="checkbox"/> mm <input type="checkbox"/> INCH <input checked="" type="checkbox"/> mm ONLY		SHT	REV	
		4 PLACES	±0.	±.	DRAWN BY & DATE H.S.SHIN (910220)		TITLE: TUBE PACKAGED FOR 53014 SERIES MOLEX INCORPORATED KOREA				
		3 PLACES	±0.	±.	CHECKED BY & DATE J.K.OH						
		2 PLACES	±0.	±.	APPROVED BY & DATE C.W.LEE		MATERIAL NO. SEE TABLE	DRAWING NO. SD-35303-001	SHEET NO. 1 OF 1		
		1 PLACE	±0.	±.	CAD FILENAME SD-35303-001		THIS DRAWING CONTAINS INFORMATION THAT IS PROPRIETARY TO MOLEX INCORPORATED AND SHOULD NOT BE USED WITHOUT WRITTEN PERMISSION.				
ANGULAR: ± °		DRAFT WHERE APPLICABLE MUST REMAIN WITHIN DIMENSIONS									

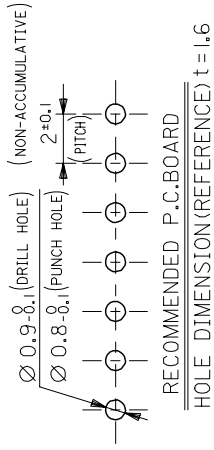
5

4

3

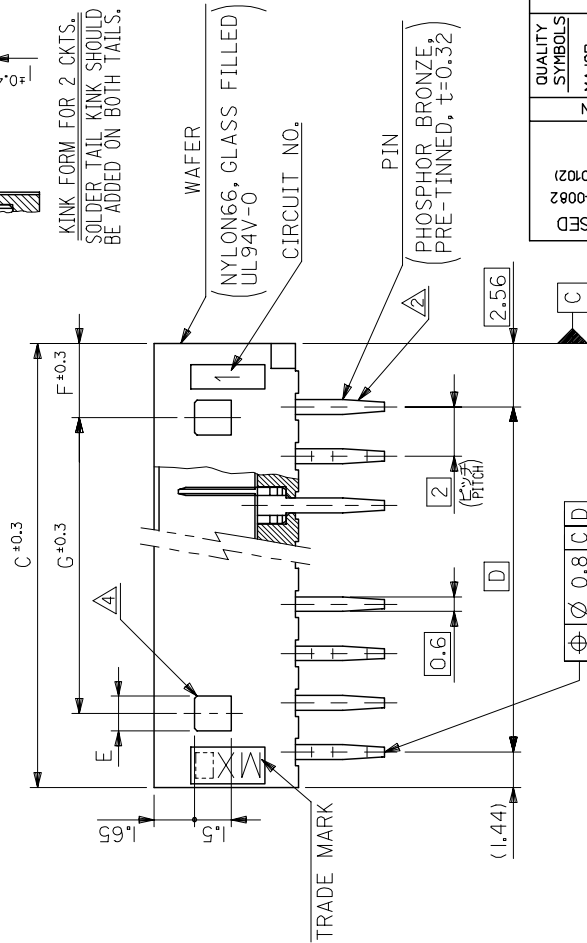
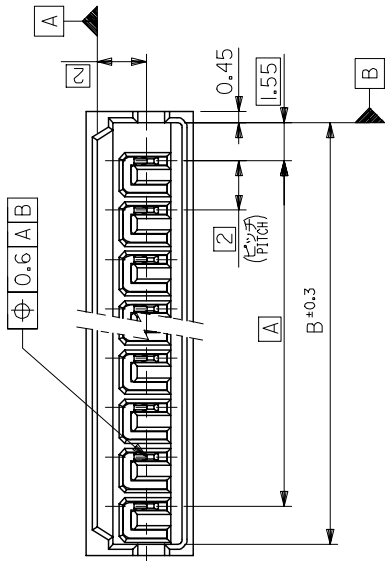
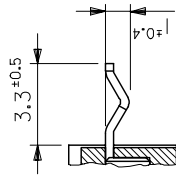
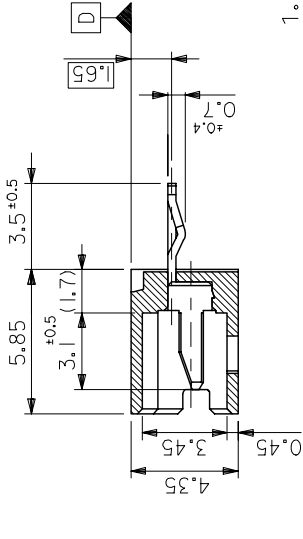
2

MX-A4



NOTES

- MATES WITH : 51004-***00
- KINK TO BE ADDED ON THE ODD NUMBER SOLDER TAILS.(FROM THE TRADE MARK SIDE.)
- * MARK INDICATES DYED COLOR : "0" NATURAL, "1" BLACK, "2" RED, "3" YELLOW, "4" BLUE
- LOCKING HOLE : 1 PLACE FOR 2, 3 CKTS, 2 PLACES FOR 4 CKTS. AND MORE THAN 4 CKTS.



REV	SHT	DIMENSIONS:				NO. OF CKTS.
		THIRD ANGLE PROJECTION	INCH	MM	ONLY	
15		35303-155*	530 14-151*			
14		35303-145*	- 141*			
13		35303-135*	- 131*			
12		35303-125*	- 121*			
11		35303-115*	- 111*			
10		35303-105*	- 101*			
9		35303-095*	- 091*			
8		35303-085*	- 081*			
7		35303-075*	- 071*			
6		35303-065*	- 061*			
5		35303-055*	- 051*			
4		35303-045*	- 041*			
3		35303-035*	- 031*			
2		35303-025*	530 14-021*			
		ENG. NO. Δ	APPLIED ITEM	ENG. NO. Δ		

DO NOT SCALE DRAWING

DWG. NO. _____

PROJECT NO. _____

SIMILAR ITEM _____

SCALE: 5:1

DESIGN UNITS: MM INCH

DESIGN BY & DATE: _____

CHECKED BY & DATE: _____

APPROVED BY & DATE: _____

CAD FILENAME: _____

GENERAL TOLERANCES (UNLESS SPECIFIED):

4 PLACES ±0.	±.
3 PLACES ±0.	±.
2 PLACES ±0.	±.
1 PLACE ±0.	±.

QUALITY SYMBOLS: MAJOR \blacktriangle , CRITICAL \triangle

ANGLE	±3°	
30 OVER	±0.3	
10 OVER	30 UNDER	±0.25
10 UNDER		±0.2

GENERAL TOLERANCES

DESCRIPTION: NEW RELEASED

ECN NO. KOR2006-0082

BRW: K.S.KIM (060102)

CHK: Y.SOOKIM

APP: S.H.CHOI

REV A

TRADE MARK

2.0 LOW PROFILE WAFER ASS'Y

MATERIAL NO. _____

DRAWING NO. SD-35303-010

SHEET NO. 1 OF 1

SIZE B

KOREA

MX-A3