

Excellent Integrated System Limited

Stocking Distributor

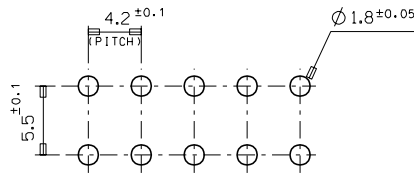
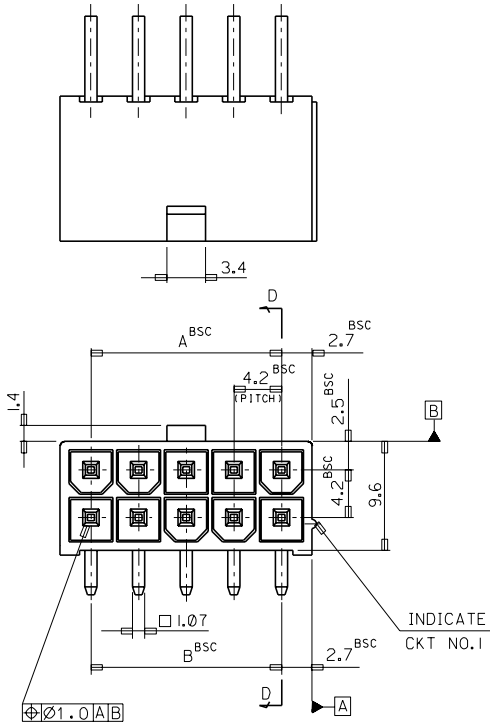
Click to view price, real time Inventory, Delivery & Lifecycle Information:

[Molex Connector Corporation](#)
[0353181020](#)

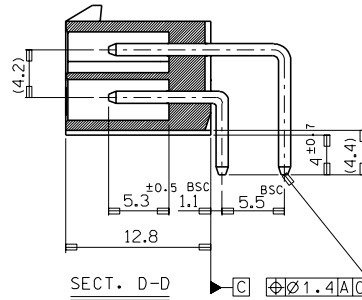
For any questions, you can email us directly:

sales@integrated-circuit.com

PROJECT NO. 35318-****
SIMILAR ITEM
EDP NO. 35318-****
ENG. NO. SD-35318-****



RECOMMENDED P.C. BOARD PATTERN



SECT. D-D

NOTES

1. WHEN MATED WITH 5557-NR, 5557-NR-210 TO BE SURELY LOCKED.

2. MATERIAL: WAFER — NYLON66 UL94V-0
NYLON66 UL94V-2
PIN — BRASS (TIN PLATED)

LEGEND

35318 - ** * *
0: NATURAL
1: BLACK
1: NYLON66 UL94V-0
2: NYLON66 UL94V-2
— CKT

46.2	46.2	35318	-24**	24
42.0	42.0		-22**	22
37.8	37.8		-20**	20
33.6	33.6		-18**	18
29.4	29.4		-16**	16
25.2	25.2		-14**	14
21.0	21.0		-12**	12
16.8	16.8		-10**	10
12.6	12.6		-08**	8
8.4	8.4		-06**	6
4.2	4.2	35318	-04**	4
A	B	ENG. NO.		CIRCUIT

			MATERIAL		MOLEX MOLEX-KOREA CO., LTD.	
B	REVISED	96-022	96/2/26	GENERAL TOLERANCE	DRAWN BY	CHK'D BY
A	NEW RELEASED	94-074	94/12/20	DIMENSION : ± 0.3	D. J. KIM	
1	REVISED	94-017	94/9/7	ANGLE : ± 1°	APP'D BY	SCALE
0	PRE-RELEASED		93/5/1	DIMENSION CLASSIFICATION		3/1
LTR REVISION RECORD			ECN	DATE	TITLE:	
					NEW MINI FIT CONN.	
					R/A WAFER ASSY	
					ENG. NO.	REV
					SD-35318-****	B