

## Excellent Integrated System Limited

Stocking Distributor

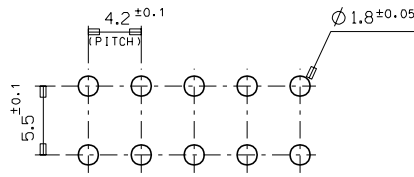
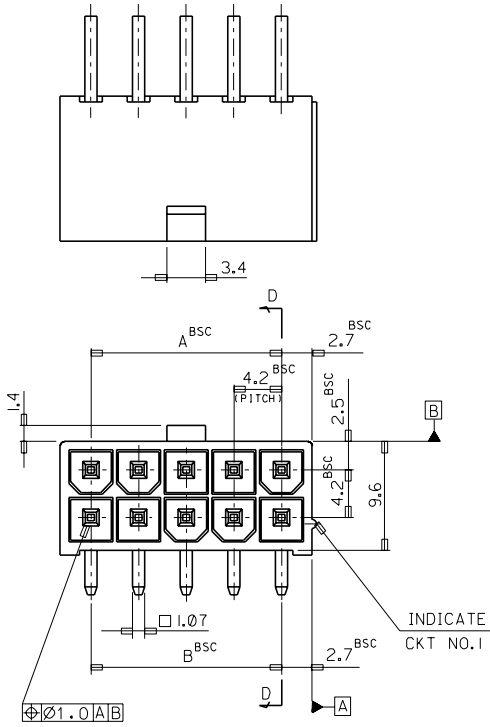
Click to view price, real time Inventory, Delivery & Lifecycle Information:

[Molex Connector Corporation](#)  
[0353181220](#)

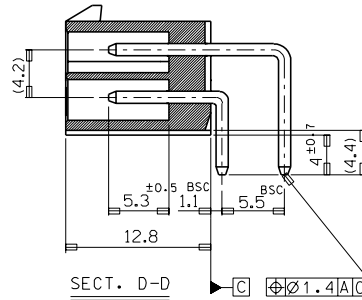
For any questions, you can email us directly:

[sales@integrated-circuit.com](mailto:sales@integrated-circuit.com)

PROJECT NO. 35318-\*\*\*\*  
SIMILAR ITEM  
EDP NO. 35318-\*\*\*\*  
ENG. NO. SD-35318-\*\*\*\*



RECOMMENDED P.C. BOARD PATTERN



NOTES

1. WHEN MATED WITH 5557-NR, 5557-NR-210 TO BE SURELY LOCKED.

2. MATERIAL: WAFER — NYLON66 UL94V-0  
NYLON66 UL94V-2  
PIN — BRASS (TIN PLATED)

LEGEND

35318 - \*\* \* \*  
0: NATURAL  
1: BLACK  
1: NYLON66 UL94V-0  
2: NYLON66 UL94V-2  
— CKT

46.2	46.2	35318	-24**	24
42.0	42.0		-22**	22
37.8	37.8		-20**	20
33.6	33.6		-18**	18
29.4	29.4		-16**	16
25.2	25.2		-14**	14
21.0	21.0		-12**	12
16.8	16.8		-10**	10
12.6	12.6		-08**	8
8.4	8.4		-06**	6
4.2	4.2	35318	-04**	4
A	B	ENG. NO.	CIRCUIT	

MATERIAL			MOLEX-KOREA CO., LTD.	
B	REVISED	96-022 96/2/26	GENERAL TOLERANCE DIMENSION : ± 0.3 ANGLE : ± 1°	DRAWN BY D. J. KIM
A	NEW RELEASED	94-074 94/12/20	DIMENSION CLASSIFICATION ▽ : CRITICAL ▼ : MAJOR ( ) : REFERENCE	CHK'D BY
1	REVISED	94-017 94/9/7	ASS'Y PART	SCALE 3/1
0	PRE-RELEASED	93/5/1	DESCRIPTION	ENG. NO.
LTR	REVISION RECORD	ECN DATE	ENG. NO.	REV B
REVISE ONLY ON CAD SYSTEM			TITLE: NEW MINI FIT CONN. R/A WAFER ASSY	