

## **Excellent Integrated System Limited**

Stocking Distributor

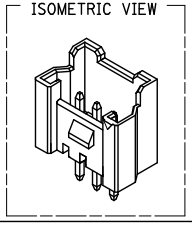
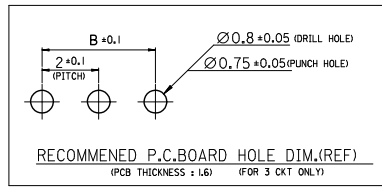
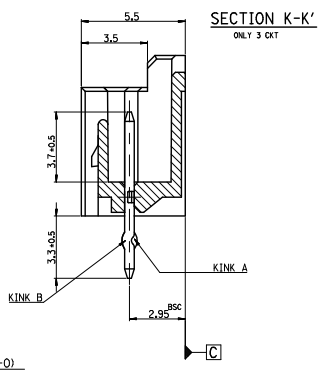
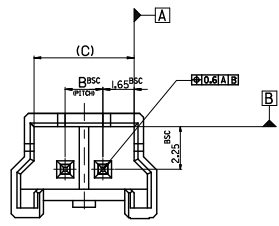
Click to view price, real time Inventory, Delivery & Lifecycle Information:

[Molex Connector Corporation](#)  
[0353621650](#)

For any questions, you can email us directly:  
[sales@integrated-circuit.com](mailto:sales@integrated-circuit.com)

10 9 8 7 6 5 4 3 2 1

FOR 2 & 3 CKTS.



**LEGEND**

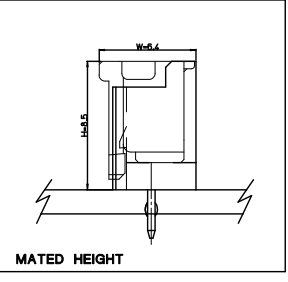
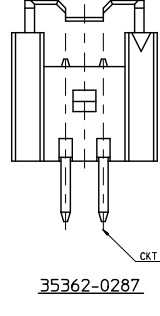
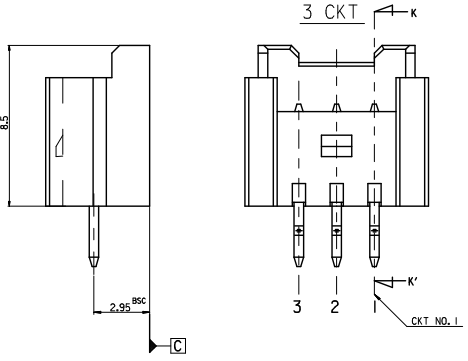
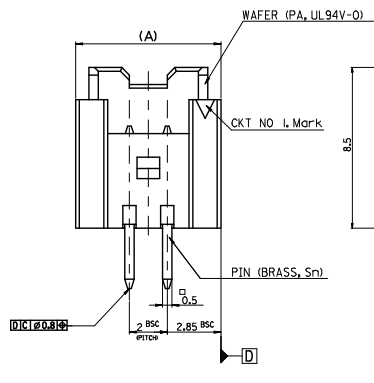
SD-35362-\*\*\*  
CKT NO.      COLOR

0	NATURAL
1	BLACK
2	RED
3	YELLOW
4	BLUE
5	GREEN
6	TUBE PACKING (Natural Color)
7	TUBE PACKING (Red Color)
8	TUBE PACKING (Blue Color)

FINAL GOOD (BULK)    5 : SELECTIVE KINK (LEAD FREE)  
                                  6 : NONE KINK (LEAD FREE)

SUB ASSY (TUBE)    7 : SELECTIVE KINK (LEAD FREE)  
                                  8 : NONE KINK (LEAD FREE)

- NOTES**
- MATERIAL : UNFILLED POLYAMIDE, UL94V-0  
PIN : BRASS
  - FINISHES : PIN : Ti(Sn) 1-34 $\mu$  OVERALL
  - PRODUCT SPECIFICATION : PS-35507-003
  - MATING HOUSING : 35507-\*\*\*0  
MATING TERMINAL : 50212-8000
  - KINK
- | CKT NO | 1 | 2 | 3 |
|--------|---|---|---|
| 2 CKT  |   |   |   |
| 3 CKT  | A | B | A |
- | CKT NO      | 1 | 2 |
|-------------|---|---|
| PRODUCT NO. | A | B |
| 35362-0287  | A | B |



7.3	4	9.7	3536203**	35362-03**	3
5.3	2	7.7	3536202**	35362-02**	2
(C)	B	(A)	MATERIAL NO.	ENG. NO.	CKT

**LEAD FREE**

30 over	±0.3
10 over 30 under	±0.25
10 under	±0.2
ANGLE	±3°
GENERAL TOLERANCE	

**QUALITY SYMBOLS**

DESCRIPTION

REVISIONS

REV	DESCRIPTION	DATE
1	DRW:KIM01	2011/08/25
2	CHK:KSKIM	2011/08/26
3	APP:TSKIM02	2011/09/03

EC NO: KOR2015-0019

**GENERAL TOLERANCES (UNLESS SPECIFIED)**

	mm	INCH
4 PLACES	±---	±---
3 PLACES	±---	±---
2 PLACES	±---	±---
1 PLACE	±---	±---
0 PLACE	±	±

**DIMENSION STYLE**  
MM ONLY

**SCALE**  
5:1

**DESIGN UNITS**  
METRIC

**THIRD ANGLE PROJECTION**

**TITLE**  
2.0 W/B WAFER ASSY  
-LEAD FREE-

**molex**

**MATERIAL NO.**  
SEE TABLE

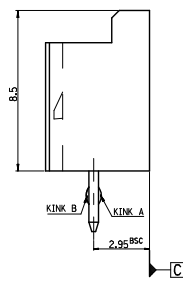
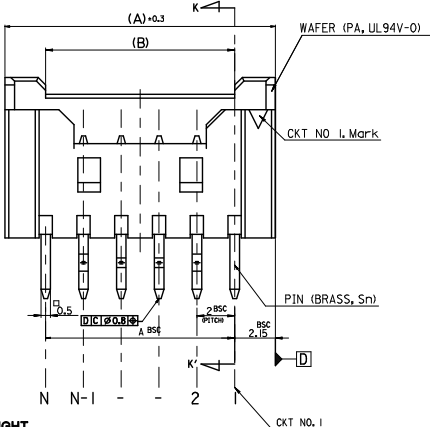
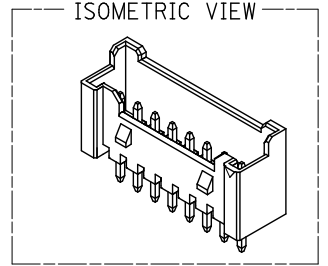
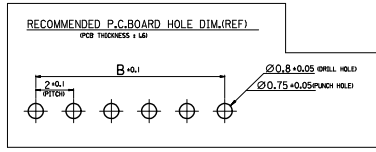
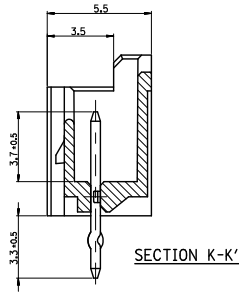
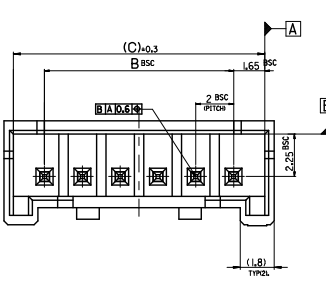
**DOCUMENT NO.**  
SD-35362-002

**SHEET NO.**  
1 OF 1

THIS DRAWING CONTAINS INFORMATION THAT IS PROPRIETARY TO MOLEX INCORPORATED AND SHOULD NOT BE USED WITHOUT WRITTEN PERMISSION

10 9 8 7 6 5 4 3 2 1

10 9 8 7 6 5 4 3 2 1



**LEGEND**

SD-35362-\*\*\*\*

CTKT NO.      COLOR

0 : NATURAL  
1 : BLACK  
2 : RED  
3 : YELLOW  
4 : BLUE  
5 : GREEN  
6 : TUBE PACKING (Natural Color)  
7 : TUBE PACKING (Red Color)  
8 : TUBE PACKING (Blue Color)

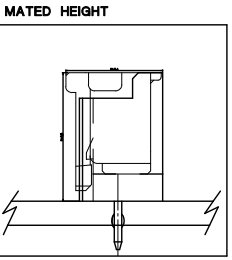
FINAL GOOD (BULK)      5 : SELECTIVE KINK (LEAD FREE)  
  6 : NONE KINK (LEAD FREE)

SUB ASSY (TUBE)      7 : SELECTIVE KINK (LEAD FREE)  
  8 : NONE KINK (LEAD FREE)

- NOTES**
1. MATERIAL : WAFER : UNFILLED POLYAMIDE, UL94V-0  
PIN : BRASS
  2. FINISHES : PIN : Tin(Sn) 1-34µm OVERALL
  3. PRODUCT SPECIFICATION : PS-35507-003
  4. MATING HOUSING : 35507-\*\*0\*
  5. MATING TERMINAL : 50212-8000

CTKT NO	1	2	3	-	-	N-2	N-1	N
16*20 CKT	-	A	B	-	-	B	A	-

41.3	38	42.3	3536220**	35362-20**	20
39.3	36	40.3	3536219**	35362-19**	19
37.3	34	38.3	3536218**	35362-18**	18
35.3	32	36.3	3536217**	35362-17**	17
33.3	30	34.3	3536216**	35362-16**	16



**LEAD FREE**

30 over	±0.3
10 over 30 under	±0.25
10 under	±0.2
ANGLE	±3°

GENERAL TOLERANCE

**REVISIONS**

REV	DESCRIPTION	DATE
1	EC. NO. KOR2015-0019	2014/08/25
2	DRWING KIM	2014/08/26
3	CHK KSKIM	2014/08/26
4	APPR: YSKIM	2014/09/03

**QUALITY SYMBOLS**

∇=0	4 PLACES ±---	±---
∇=1	3 PLACES ±---	±---
∇=2	2 PLACES ±---	±---
∇=3	1 PLACE ±---	±---
∇=4	0 PLACE ±	±

ANGULAR ±---°

DRAFT WHERE APPLICABLE MUST REMAIN WITHIN DIMENSIONS

**GENERAL TOLERANCES (UNLESS SPECIFIED)**

mm	INCH
4 PLACES ±---	±---
3 PLACES ±---	±---
2 PLACES ±---	±---
1 PLACE ±---	±---
0 PLACE ±	±

**2.0 W/B WAFER ASS'Y -LEAD FREE-**

**molex**

DOCUMENT NO. SD-35362-002

SHEET NO. 1 OF 1

THIS DRAWING CONTAINS INFORMATION THAT IS PROPRIETARY TO MOLEX INCORPORATED AND SHOULD NOT BE USED WITHOUT WRITTEN PERMISSION

9 8 7 6 5 4 3 2 1