

Excellent Integrated System Limited

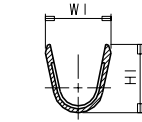
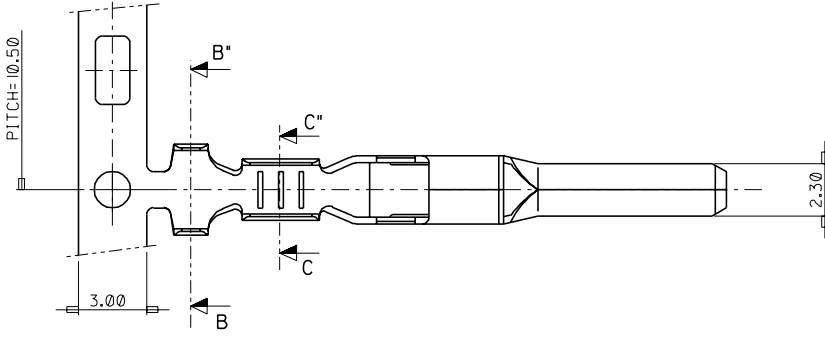
Stocking Distributor

Click to view price, real time Inventory, Delivery & Lifecycle Information:

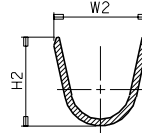
[Molex Connector Corporation](#)
[0354209802](#)

For any questions, you can email us directly:

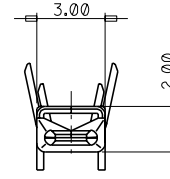
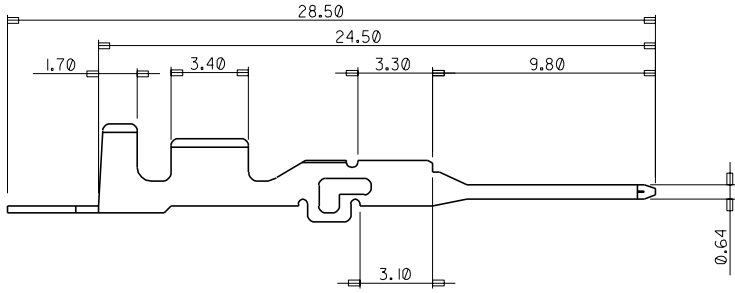
sales@integrated-circuit.com



SECTION C-C'



SECTION B-B'



NOTES

1. MATERIAL : PRE-TIN PLATED BRASS 0.3+

ENG.NO	DESCRIPTION	DIMENSION				WIRE RANGE mm ²
		W1	H1	W2	H2	
35420-9702	UNICONN MALE TERMINAL (S)	2.2	2.3	3.7	3.3	AVS(CAVS) 0.3,0.5
35420-9802	UNICONN MALE TERMINAL (M)	2.8	3.0	4.2	4.0	AVS(CAVS) 0.5,0.85,1.25
35420-9902	UNICONN MALE TERMINAL (L)	3.9	4.1	4.9	4.2	AVSS 2f

REVISED EC NO. KOR1598-0072 DRAWN BY: YANG 98/05/08 CHK: APPR:	QUALITY SYMBOLS MAJOR = 0 CRITICAL = 0 C = 0	GENERAL TOLERANCES: (UNLESS SPECIFIED)		SCALE 6:1	DESIGN UNITS <input checked="" type="checkbox"/> mm <input type="checkbox"/> INCH	THIRD ANGLE PROJECTION <input type="checkbox"/> mm <input type="checkbox"/> INCH <input checked="" type="checkbox"/> mm ONLY	SHT REV REVISE ON CAD ONLY		
		DRAWN BY & DATE W.Y.YANG 97/11/17		CHECKED BY & DATE B.K.CHOI 97/11/17		TITLE: UNICONN MALE TERMINAL			
		APPROVED BY & DATE C.W.LEE 97/11/17		CAD FILENAME S4209702.DGN		MATERIAL NO. SEE TABLE		DRAWING NO. SD 35420-9*02	
		DRAFT WHERE APPLICABLE MUST REMAIN WITHIN DIMENSIONS		THIS DRAWING CONTAINS INFORMATION THAT IS PROPRIETARY TO MOLEX INCORPORATED AND SHOULD NOT BE USED WITHOUT WRITTEN PERMISSION.		SHEET NO. 1 OF 1		SIZE B	

DO NOT SCALE DRAWING DIMENSION IN METRIC

PROJECT NO.

SIMILAR ITEM

DWG. NO.

8 7 6 5 4 3 2

8 7 6 5 4 3 2

MX-A3