

Excellent Integrated System Limited

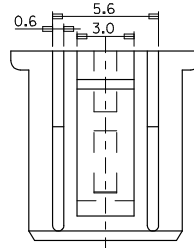
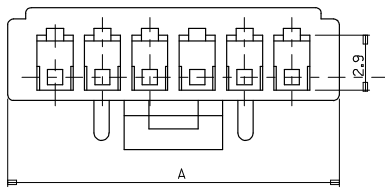
Stocking Distributor

Click to view price, real time Inventory, Delivery & Lifecycle Information:

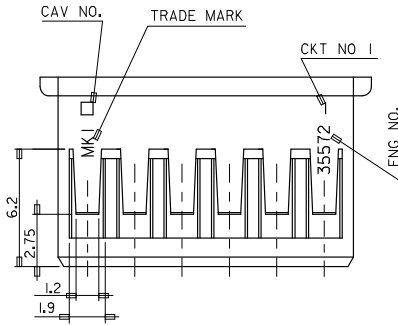
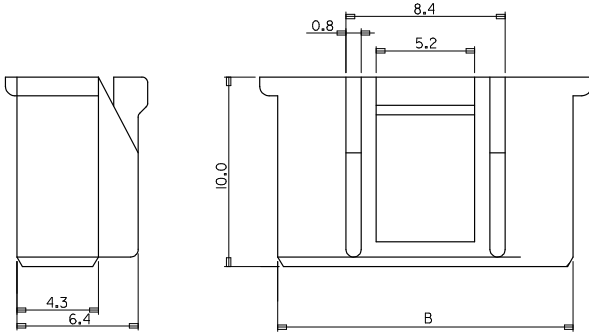
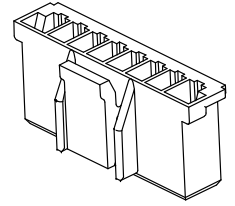
[Molex Connector Corporation](#)
[0355721100](#)

For any questions, you can email us directly:

sales@integrated-circuit.com



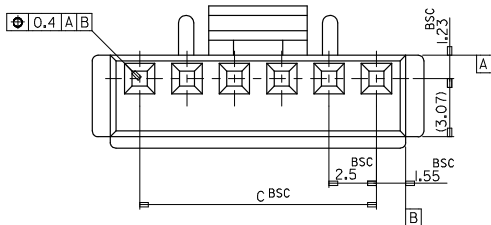
3 CKT ONLY



NOTE

1. MATERIAL : PBT UL94V-0 (VALOX 310SE0)
2. COLOR : 0 : NATURAL
2 : RED (ONLY 4P,6P,10P)
3. USED TERMINAL : 57915-9002/8001
4. MATED : 35312/35184

35.0	38.1	40.0	35572-1500	15	20.0	23.1	25.0	35572-0900	9
32.5	35.6	37.5	35572-1400	14	17.5	20.6	22.5	35572-0800	8
30.0	33.1	35.0	35572-1300	13	15.0	18.1	20.0	35572-0700	7
27.5	30.6	32.5	35572-1200	12	12.5	15.6	17.5	35572-060*	6
25.0	28.1	30.0	35572-1100	11	10.0	13.1	15.0	35572-0500	5
22.5	25.6	27.5	35572-100*	10	7.5	10.6	12.5	35572-040*	4
C	B	A	ENG NO.	CKT	C	B	A	ENG NO.	CKT



REVISED EC NO: KOR2008-0109 DRAWN: HPARK01 2008/01/02 CHKDWT: YANG 2008/01/02 APPR: TUNSTKKIM 2008/01/02	DESCRIPTION B	QUALITY SYMBOLS ▽=0 ▽=0	GENERAL TOLERANCES (UNLESS SPECIFIED) 4 PLACES ± --- ± --- 3 PLACES ± --- ± --- 2 PLACES ± --- ± --- 1 PLACE ± 0.2 ± --- ANGULAR ± 1°	DIMENSION STYLE MM ONLY DRAWN BY HS. SHIN DATE 2000/02/17 CHECKED BY JK. OH DATE 2000/02/17 APPROVED BY CW. LEE DATE 2000/02/17	SCALE 5:1	DESIGN UNITS METRIC	THIRD ANGLE PROJECTION		
		DRAFT WHERE APPLICABLE MUST REMAIN WITHIN DIMENSIONS			MATERIAL NO. SD35572.DGN	DOCUMENT NO. SD-35572-001	MOLEX INCORPORATED		
					SIZE A	THIS DRAWING CONTAINS INFORMATION THAT IS PROPRIETARY TO MOLEX INCORPORATED AND SHOULD NOT BE USED WITHOUT WRITTEN PERMISSION			SHEET NO. 1 OF 01