

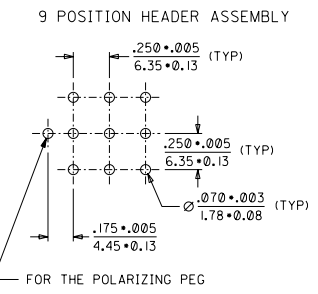
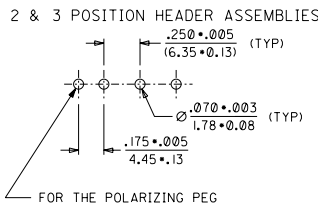
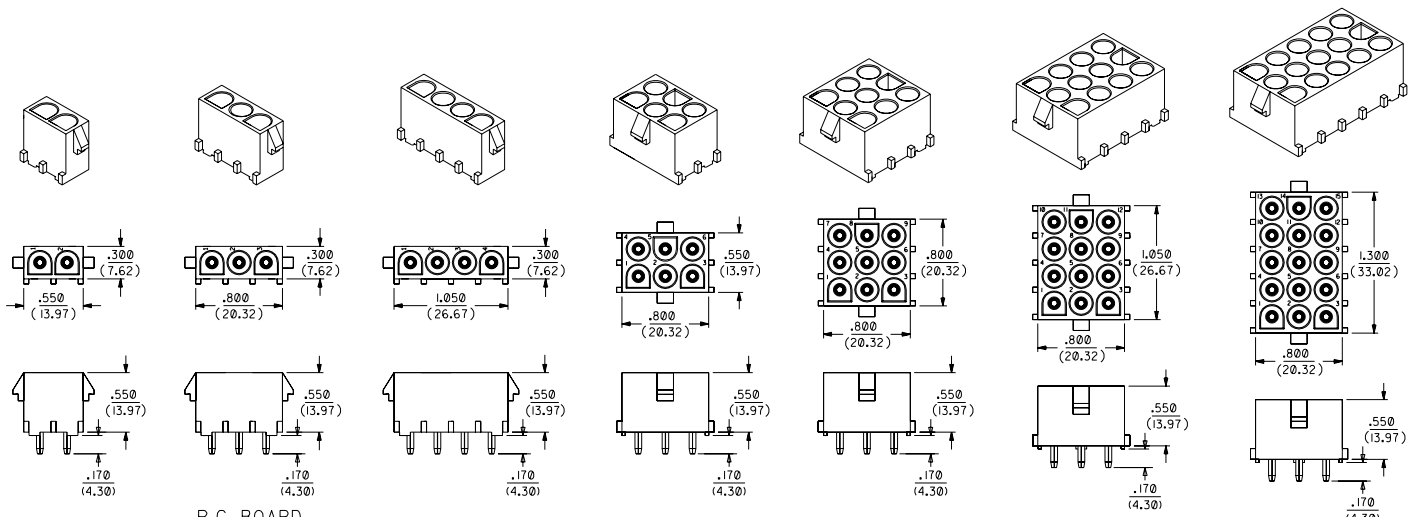
Excellent Integrated System Limited

Stocking Distributor

Click to view price, real time Inventory, Delivery & Lifecycle Information:

[Molex Connector Corporation](#)
[0366080007](#)

For any questions, you can email us directly:
sales@integrated-circuit.com



NOTES:

- MATERIAL CODES:
HOUSING :
A- UNREINFORCED POLYESTER, 94V-0. COLOR: WHITE
B- UNREINFORCED POLYESTER, 94V-0. COLOR: BRICK RED
C- NYLON (PA66), UL94V-2. COLOR: WHITE, TRANSLUCENT
TERMINAL : BRASS, SOLID PIN
- FINISH:
TIN-LEAD 60-100 MICROINCH, OVER NICKEL 50 MICROINCH (MIN) OVERALL
- TERMINAL LENGTH IS SUITABLE FOR .062/(1.57) THICK P.C BOARD
- DIMENSIONS ARE FOR REFERENCE ONLY UNLESS INDICATED OTHERWISE.
- HEADER ASSEMBLY HOUSINGS MATE WITH :
- PLUG HOUSINGS, .084/(2.13) DIA. SERIES: (42021-**)
- CONTACTS ARE ON .250/(6.35) GRID CENTERLINE SPACING.

EC No. I 2002-0020 DRWNS.S 25/11/02 CHK: C.L 25/11/02 APPR: G.L 25/11/02	DESCRIPTION MAJOR CRITICAL 1/2	GENERAL TOLERANCES: (UNLESS SPECIFIED)		SCALE 1.5 : 1	DESIGN UNITS <input type="checkbox"/> mm <input checked="" type="checkbox"/> INCH	THIRD ANGLE PROJECTION	DIMENSIONS: <input type="checkbox"/> mm <input checked="" type="checkbox"/> INCH <input type="checkbox"/> mm ONLY		SHT REV
		4 PLACES ±0.125	±.010	DRAWN BY & DATE S.S 28/09/01	TITLE: HEADER HOUSING ASSEMBLIES .084/(2.13) SERIES WITHOUT COMPLIANT/POLARIZING PEG	MATERIAL NO. SD-36563-001	DRAWING NO. SD-36563-001	SHEET NO. 1 OF 2	
A	REV	3 PLACES ±0.125	±.014	CHECKED BY & DATE C.L 28/09/01	MOLEX INCORPORATED				SIZE C
DRAFT WHERE APPLICABLE MUST REMAIN WITHIN DIMENSIONS		2 PLACES ±0.25	±.014	APPROVED BY & DATE C.L 28/09/01	THIS DRAWING CONTAINS INFORMATION THAT IS PROPRIETARY TO MOLEX INCORPORATED AND SHOULD NOT BE USED WITHOUT WRITTEN PERMISSION.				
		1 PLACE ±0.36	±.014	CAD FILENAME SD-36563-001.S01					



13 12 11 10 9 8 7 6 5 4 3 2 1

ITEM NO.	CIRCUIT SIZE	MATERIAL COLOR (SEE NOTE 1)
36563-0001	2	A
36563-0002		B
36563-0003		C
36563-0004	3	A
36563-0005		B
36563-0006		C
36563-0007	4	A
36563-0008		B
36563-0009		C
36563-0010	6	A
36563-0011		B
36563-0012		C
36563-0013	9	A
36563-0014		B
36563-0015		C
36563-0016	12	A
36563-0017		B
36563-0018		C
36563-0019	15	A
36563-0020		B
36563-0021		C

EC No. I 20003-0020 DRWNS.S 25/11/02 CHN. C.L 25/11/02 APPR. G.L 25/11/02	QUALITY SYMBOLS MAJOR CRITICAL	GENERAL TOLERANCES: (UNLESS SPECIFIED)		SCALE 1:5 ±1	DESIGN UNITS <input type="checkbox"/> mm <input checked="" type="checkbox"/> INCH	THIRD ANGLE PROJECTION <input checked="" type="checkbox"/>	DIMENSIONS: <input type="checkbox"/> mm <input checked="" type="checkbox"/> INCH <input type="checkbox"/> mm ONLY			SHT	REV
		4 PLACES ±0.1	±.	INCH	DRAWN BY & DATE S.S 28/09/01		TITLE: HEADER HOUSING ASSEMBLIES .084/(2.13) SERIES WITHOUT COMPLIANT/POLARIZING PEG			REVISE ON CAD ONLY	
A REV	DESCRIPTION	3 PLACES ±0.1	±. 0.10		CHECKED BY & DATE C.L 28/03/01	MOLEX INCORPORATED	MATERIAL NO. SD-36563-001			SHEET NO. 2 OF 2	SIZE C
		2 PLACES ±0.25	±. 0.14		APPROVED BY & DATE C.L 28/03/01		CAD FILENAME SD-36563-001.S02			THIS DRAWING CONTAINS INFORMATION THAT IS PROPRIETARY TO MOLEX INCORPORATED AND SHOULD NOT BE USED WITHOUT WRITTEN PERMISSION.	
DRAFT WHERE APPLICABLE MUST REMAIN WITHIN DIMENSIONS		ANGULAR: ± 1/2°									

LBORD.DGN REV A 36/06/12 LEVEL 5 12 11 10 9 8 7 6 5 4 3 2 1