

Excellent Integrated System Limited

Stocking Distributor

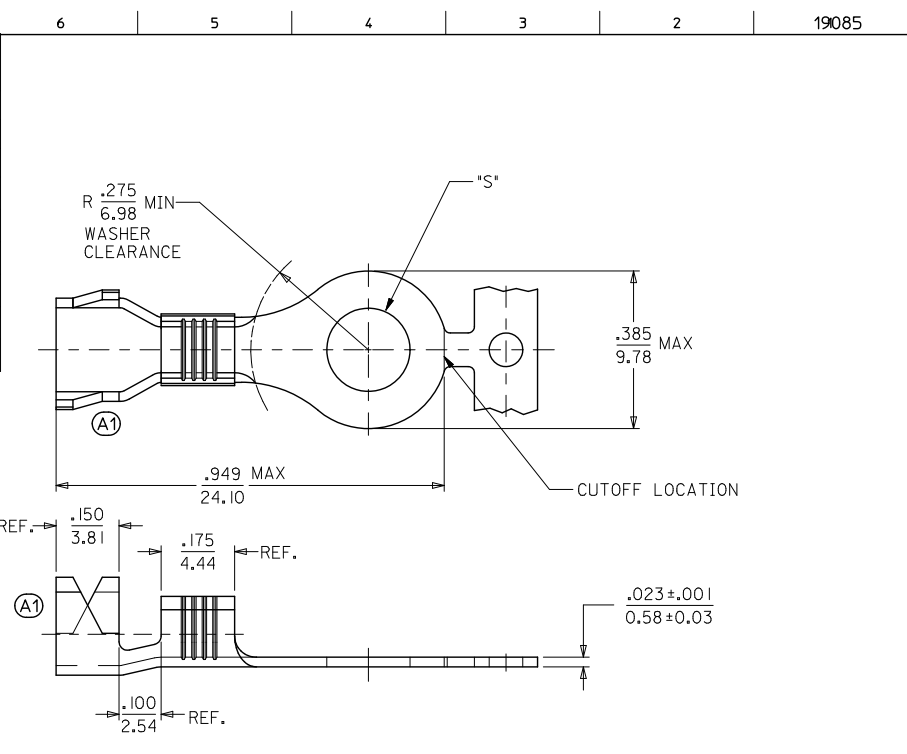
Click to view price, real time Inventory, Delivery & Lifecycle Information:

[Molex Connector Corporation](#)
[0190850002](#)

For any questions, you can email us directly:

sales@integrated-circuit.com

| MATERIAL NUMBER | ENGINEERING NUMBER | STUD SIZE "S" ±.010/-.0125) | MATERIAL | PLATING |
|-----------------|--------------------|--------------------------------|----------|---------|
| I90850001 | I9085-0001 | #6 = .146/(3.71) | BRASS | NONE |
| I90850002 | I9085-0002 | #8 = .173/(4.39) | BRASS | NONE |
| I90850003 | I9085-0003 | #10 = .198/(5.03) | BRASS | NONE |
| I90850004 | RZ-4129-06 | #6 = .146/(3.71) | BRASS | TIN |
| I90850005 | RZ-4129-08 | #8 = .173/(4.39) | BRASS | TIN |
| I90850006 | RZ-4129-10 | #10 = .198/(5.03) | BRASS | TIN |
| I90850007 | RZ-S-4129-06 | #6 = .146/(3.71) | STEEL | TIN |
| I90850008 | RZ-S-4129-08 | #8 = .173/(4.39) | STEEL | TIN |
| I90850009 | RZ-S-4129-10 | #10 = .198/(5.03) | STEEL | TIN |



- NOTES:
1. MATERIAL: SEE CHART.
 2. PLATING: SEE CHART.
 3. WIRE RANGE: 18-14 AWG/1.3-2.6 MM²
 4. PARTS ARE ROHS COMPLIANT.

SALES DRAWING

| | | | | | |
|---|---|---|--|--|--|
| CORRECT INSUL GRIP EC NO: WNA2012-0119 DRAWN: THRODAHL 2011/08/02 CHKD: MACNEIL 2011/08/02 APPR: MACNEIL 2011/09/12 | QUALITY SYMBOLS ▽=0 ▽=0 | GENERAL TOLERANCES (UNLESS SPECIFIED) mm INCH 4 PLACES ± --- ± --- 3 PLACES ± --- ± --- 2 PLACES ± --- ± --- 1 PLACE ± --- ± --- ANGULAR ± ---° | DIMENSION STYLE IN/MM DRAWN BY DATE BRE 2002/02/04 CHECKED BY DATE HEB 2002/02/04 APPROVED BY DATE | SCALE --- DESIGN UNITS INCH THIRD ANGLE PROJECTION | TITLE VIBRAKRIMP STRIP RING TONGUE TERMINAL 18-14 AWG |
| | DRAFT WHERE APPLICABLE MUST REMAIN WITHIN DIMENSIONS | MATERIAL NO. SEE CHART | MOLEX INCORPORATED | DOCUMENT NO. SD-19085-002 | SHEET NO. 1 OF 1 |
| | THIS DRAWING CONTAINS INFORMATION THAT IS PROPRIETARY TO MOLEX INCORPORATED AND SHOULD NOT BE USED WITHOUT WRITTEN PERMISSION | | | | |
| | REV A1 | | | | |