

Excellent Integrated System Limited

Stocking Distributor

Click to view price, real time Inventory, Delivery & Lifecycle Information:

[Molex Connector Corporation](#)
[0191780013](#)

For any questions, you can email us directly:

sales@integrated-circuit.com



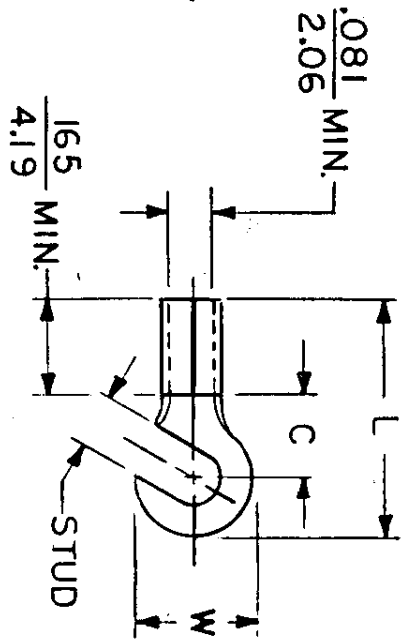
NOTES:
 ① MAT'L: COPPER (STOCK TKN. $\frac{.031}{.79}$)
 PLATING: ELECTRO-TIN (.0003 MIN.)

STUD SIZES: ($\pm .005$)

- 02 = .094
- 04 = .119
- 06 = .146
- 08 = .173
- 10 = .198
- 14 = .265
- 56 = .328
- 38 = .390

"UL" LISTING #E32244
 "CSA" LISTING #18689

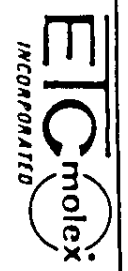
ALL DIMENSIONS = $\frac{\text{INCHES}}{\text{MM}}$



WIRE SIZE: 16-14 AWG
 1.0-2.5 MM²

PART NUMBER	"W" $\pm .010$	"C" MIN.	"L" MAX.	AVAILABLE STUD SIZES
BB-119-	$\frac{.350}{8.89}$	$\frac{.271}{6.88}$	$\frac{.677}{17.20}$	06, 08, 10

DIMENSIONAL TOLERANCES UNLESS OTHERWISE SPECIFIED		REFERENCE	SCALE:	NTS	DATE	TITLE:
FRAC.	DEC.	ANG.	DRWN. BY:	JG	10-18-84	HOOK TONGUE TERMINAL
			CHKD. BY:	GZ	10-23-84	KRIMP TITE 100-SERIES
			APPRD. BY:			



DWG. NO. A CUSTOMER DWG.