

Excellent Integrated System Limited

Stocking Distributor

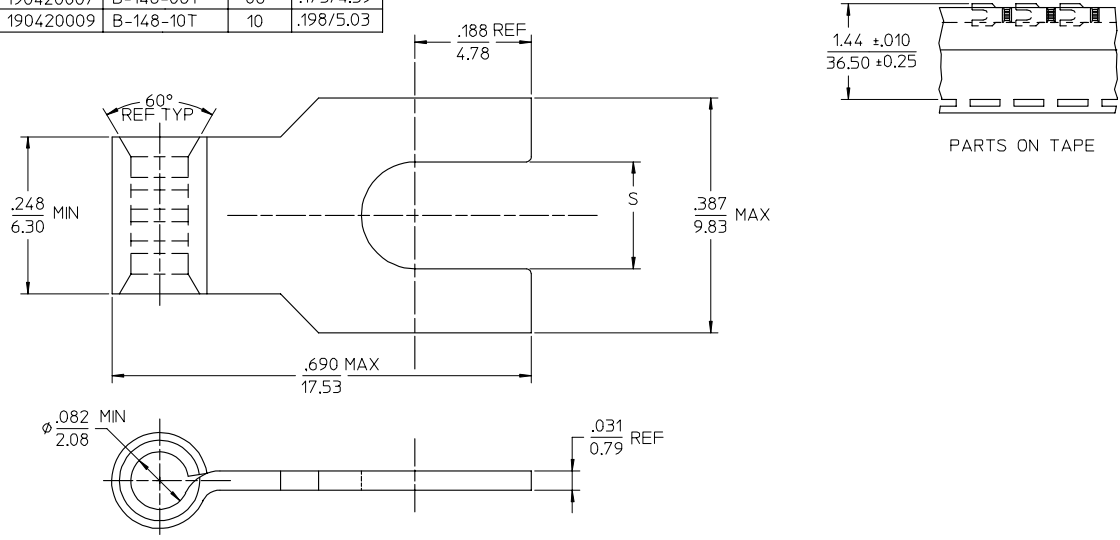
Click to view price, real time Inventory, Delivery & Lifecycle Information:

[Molex Connector Corporation](#)
[0190420006](#)

For any questions, you can email us directly:

sales@integrated-circuit.com

10	9	8	7	6	5	4	3	2	19042
MATERIAL NUMBER	ENGINEERING NUMBER	TAPE MATERIAL NUMBER	TAPE ENGINEERING NUMBER	STUD SIZE	S				
190420004	B-148-06	190420005	B-148-06T	06	.146/3.71				
190420006	B-148-08	190420007	B-148-08T	08	.173/4.39				
190420008	B-148-10	190420009	B-148-10T	10	.198/5.03				



SALES DRAWING

NOTES:

- MATERIAL: COPPER PLATING ELECTRO TIN.

<p>NEW RELEASE EC NO: ETC/2005-0122 DRAWN BY: BENDERLE 2005/02/15 CHECKED BY: RDEROSS 2005/02/15 APPROVED BY: RDEROSS 2005/02/15</p>	<p>QUALITY SYMBOLS ▽=0 ▽=0</p>	GENERAL TOLERANCES (UNLESS SPECIFIED)		DIMENSION STYLE	SCALE	DESIGN UNITS	THIRD ANGLE PROJECTION				
				IN/MM	4:1	INCH					
		4 PLACES	±	---	±	---	DRAWN BY: BENDERLE	DATE: 2005/02/01	TITLE: FLAG SPADE TONGUE TERMINAL KRIMP TITE 16-14 AWG		
		3 PLACES	±	---	±	---	CHECKED BY: RDEROSS	DATE: 2005/02/01	MATERIAL NO. SEE CHART		
				ANGULAR	±	---	°	APPROVED BY: RDEROSS	DATE: 2005/02/01	DOCUMENT NO. SD-19042-001	SHEET NO. 1 OF 1
DRAFT WHERE APPLICABLE MUST REMAIN WITHIN DIMENSIONS		SIZE B		THIS DRAWING CONTAINS INFORMATION THAT IS PROPRIETARY TO MOLEX INCORPORATED AND SHOULD NOT BE USED WITHOUT WRITTEN PERMISSION							