

## Excellent Integrated System Limited

Stocking Distributor

Click to view price, real time Inventory, Delivery & Lifecycle Information:

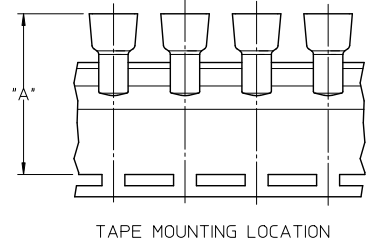
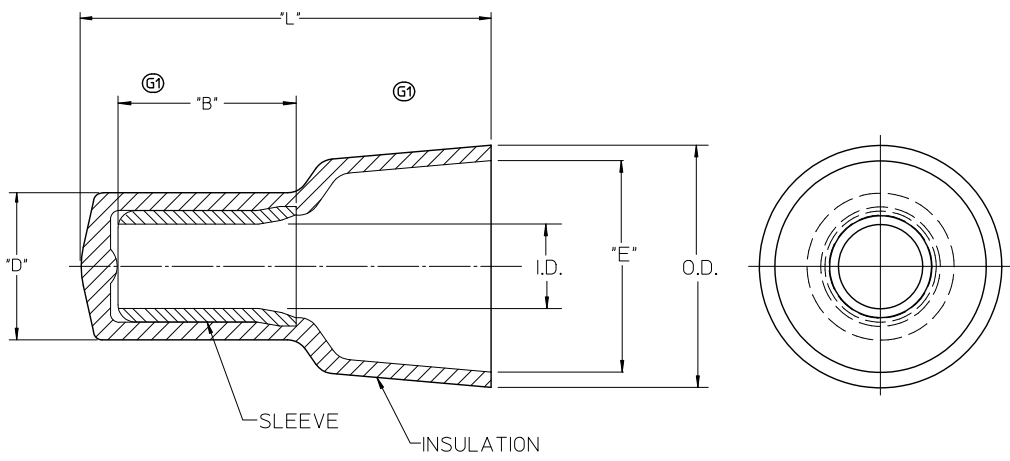
[Molex Connector Corporation](#)

[0191600156](#)

For any questions, you can email us directly:

[sales@integrated-circuit.com](mailto:sales@integrated-circuit.com)

10		9		8		7		6		5		4		3		2		19160		
LOOSE PIECE				TAPE MOUNTED				"L" MAX.	"B" MIN $\text{\textcircled{G}}$	"D" MAX.	"E" MIN.	I.D. MIN.	O.D. MAX.	"A" DIM $\pm 0.02/0.5 \text{\textcircled{G}}$						
MATERIAL NO.	ENG. NO.	MATERIAL NO.	ENG. NO.																	
191600012	NC-2214	191600070	NC-2214T	.62/15.7	.30/7.6	.19/4.8	.24/6.1	.09/2.3	.32/8.1	1.54/39.2										
191600009	NC-2212	191600071	NC-2212T	.76/19.3	.30/7.6	.23/5.8	.27/6.9	.10/2.5	.36/9.1	1.63/41.4										
191600002	NC-1610	191600083	NC-1610T	.90/22.8	.28/7.1	.28/7.1	.38/9.6	.15/3.8	.45/11.4	1.75/44.5										
191600024	NC-8	191600028	NC-8T	1.10/27.9	.42/10.6	.36/9.1	.48/12.2	.21/5.3	.57/14.5	1.86/47.4										



SALES DRAWING

NOTES:

- MATERIAL: SLEEVE: TIN-PLATED COPPER  
INSULATION: 6/6 NYLON,  
NATURAL TRANSLUCENT
- PARTS ARE ROHS COMPLIANT.

<b>CORRECT TOLERANCES</b> EC NO: WNA 2010-0673 DRAWN BY: DRWNETHRODAHL 2010/05/07 CHECKED BY: CHYKOR DEROSS 04/02/23 APPR: MACNEILL 2010/06/23 REV: G1	QUALITY SYMBOLS	GENERAL TOLERANCES (UNLESS SPECIFIED)		DIMENSION STYLE		SCALE	DESIGN UNITS	THIRD ANGLE PROJECTION
	$\nabla=0$ $\sphericalangle=0$	mm	INCH	IN/MM	DATE	5:1	INCH	
	4 PLACES	±---	±---	H. BEITZE	04/02/23	TITLE		
	3 PLACES	±---	±---	CHECKED BY	DATE	CLOSED END CONNECTORS NYLON INSULATED		
2 PLACES	±---	±---	R. DEROSS	04/02/23	Molex MOLEX INCORPORATED			
1 PLACE	±---	±---	APPROVED BY	DATE	SD-19160-001			
ANGULAR	±---	±---	R. DEROSS	04/02/23	SHEET NO. 1 OF 1			
DRAFT WHERE APPLICABLE MUST REMAIN WITHIN DIMENSIONS		SEE CHART		MATERIAL NO.		DOCUMENT NO.		
THIS DRAWING CONTAINS INFORMATION THAT IS PROPRIETARY TO MOLEX INCORPORATED AND SHOULD NOT BE USED WITHOUT WRITTEN PERMISSION								