

## Excellent Integrated System Limited

Stocking Distributor

Click to view price, real time Inventory, Delivery & Lifecycle Information:

[Molex Connector Corporation](#)  
[0190570090](#)

For any questions, you can email us directly:

[sales@integrated-circuit.com](mailto:sales@integrated-circuit.com)

FILE NO. B-CD-501-01

**NOTES:**

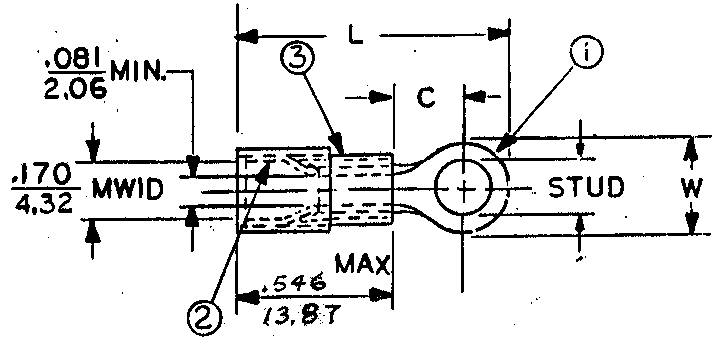
- ① MAT'L: COPPER (STOCK TKN.  $\frac{.031}{.79}$  )
- PLATING: ELECTRO TIN (.0003 MIN)
- ② TIN-PLATED BRASS FUNNEL FERRULE
- ③ NYLON INSULATION (COLOR CODED BLUE)

**STUD SIZES: ( $\pm .005$ )**

- 02 = .094
- 04 = .119
- 06 = .146
- 08 = .173
- 10 = .198
- 14 = .265
- 56 = .328
- 38 = .390

"UL" LISTING #E32244  
 "CSA" LISTING #18689

WIRE SIZE: 16-14 AWG  
 1.0-2.5 MM<sup>2</sup>



ALL DIMENSIONS =  $\frac{\text{INCHES}}{\text{MM}}$  (MWID) = DENOTES MAXIMUM WIRE INSULATION DIAMETER

| PART NUMBER | "W" $\pm .010$       | "C" MIN.             | "L" MAX.              | AVAILABLE STUD SIZES |
|-------------|----------------------|----------------------|-----------------------|----------------------|
| B-518-      | $\frac{.534}{13.56}$ | $\frac{.554}{14.07}$ | $\frac{1.407}{35.74}$ | 10,14,56,38          |
| B-523-      | $\frac{.250}{6.35}$  | $\frac{.209}{5.31}$  | $\frac{.937}{23.65}$  | 02,04,06,08          |
| B-525-      | $\frac{.467}{11.86}$ | $\frac{.388}{9.86}$  | $\frac{1.208}{30.68}$ | 10,14,56             |
| B-539-      | $\frac{.342}{8.69}$  | $\frac{.310}{7.87}$  | $\frac{1.067}{27.10}$ | 04,06,08,10          |
| B-537-      | $\frac{.312}{7.92}$  | $\frac{.285}{7.24}$  | $\frac{1.022}{25.96}$ | 04,06,08,10          |

|   |      |      |                            |              |          |  |            |               |
|---|------|------|----------------------------|--------------|----------|--|------------|---------------|
| DIMENSIONAL TOLERANCES UNLESS OTHERWISE SPECIFIED |      |      | REFERENCE                  | SCALE: NTS   | DATE     | TITLE:<br>RING TONGUE TERMINAL AVIKRIMP 500-SERIES |            |               |
| FRAC.   | DEC. | ANG. | REV. A 001/1830<br>11/6/93 | DRWN. BY: Ho | 11-12-84 |  |            |               |
| ±   | ±    | ±    |                            | CHKD. BY: 6Z | 11-30-84 |  |            |               |
|   |      |      |                            | APPRD. BY:   |          |  |            |               |
|   |      |      |                            |              |          |  | DWG. NO. A | CUSTOMER DWG. |