



Distributor of Molex Connector Corporation: Excellent Integrated System Limited
Datasheet of 0190030122 - Connector Quick Connect Receptacle 18-22 AWG 0.250"
(6.35mm) Crimp

Contact us: sales@integrated-circuit.com Website: www.integrated-circuit.com

Excellent Integrated System Limited

Stocking Distributor

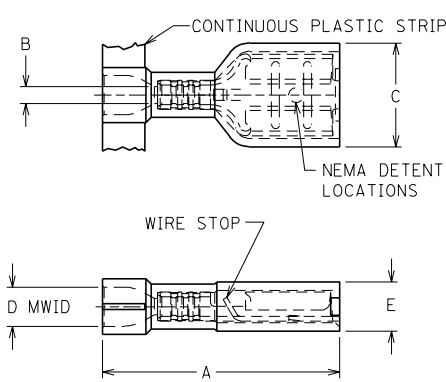
Click to view price, real time Inventory, Delivery & Lifecycle Information:

[Molex Connector Corporation](#)
[0190030122](#)

For any questions, you can email us directly:
sales@integrated-circuit.com



MOLEX-ETC PART NO.	INS. COLOR	WIRE RANGE AWG	FITS MALE TAB SIZE	STOCK THICK.	"A" MAX.	"B" MIN.	"C" MAX.	"D" MAX.	"E" MAX.	MWID	CARRIER CONFIGURATION	INSULATION MATERIAL		
M-2212	YELLOW	26-24	.250x.032	.016	.86	.30	.380	.075	.180		SEE NOTE 3	94V-2 6/6 NYLON		
M-2210	YELLOW	26-24	.187x.020	.016	.78	.30	.316	.075	.160					
M-2211	YELLOW	26-24	.187x.032	.016	.78	.30	.316	.075	.160					
M-2213	YELLOW	26-24	.110x.020	.012	.78	.34	.230	.095	.150					
AA-2201	RED	22-18	.250x.032	.016	.86	.058	.380	.135	.180					
AA-2213	RED	22-18	.205x.020	.016	.78	.058	.316	.135	.160					
AA-2214	RED	22-18	.205x.032	.016	.78	.058	.316	.135	.160					
AA-2202	RED	22-18	.187x.020	.016	.78	.058	.316	.135	.160					
AA-2203	RED	22-18	.187x.032	.016	.78	.058	.316	.135	.160					
AA-2204	RED	22-18	.110x.020	.012	.78	.058	.230	.135	.150					
AA-2205	RED	22-18	.110x.032	.012	.78	.058	.230	.135	.150					
BB-2206	BLUE	16-14	.250x.032	.016	.86	.083	.380	.160	.180					
BB-2215	BLUE	16-14	.205x.020	.016	.78	.083	.316	.160	.170					
BB-2216	BLUE	16-14	.205x.032	.016	.78	.083	.316	.160	.170					
BB-2207	BLUE	16-14	.187x.020	.016	.78	.083	.316	.160	.170					
BB-2208	BLUE	16-14	.187x.032	.016	.78	.083	.316	.160	.170					
19606-0001	YELLOW	12-10	.250x.032	.018	1.04	.120	.380	.240	.220	PLASTIC STRIP				
19606-0002	YELLOW	12-10	.250x.032	.018	1.04	.120	.380	.240	.220	LOOSE PIECE				
19606-0003	YELLOW	12-10	.250x.032	.018	1.04	.120	.380	.240	.220	TAPE MOUNT				
AA-2201VN	NATURAL	22-18	.250x.032	.016	.86	.058	.380	.135	.180		SEE NOTE 3	94V-0 6/6 NYLON		
BB-2206VB	BLACK	16-14	.250x.032	.016	.86	.083	.380	.160	.180					
C-2265VN	NATURAL	12-10	.250x.032	.018	1.04	.145	.380	.275	.290					



- MATERIAL: TERMINAL: BRASS
PLATING: ELECTRO-TIN
FERRULE: BRASS
PLATING: ELECTRO-TIN
INSULATION: NYLON 6/6 SEE CHART
COLOR: SEE CHART
- MWID[®] = MAXIMUM WIRE INSULATION DIAMETER
- FOR CONTINUOUS PLASTIC STRIP ADD "C" TO PART NUMBER, FOR TAPE MOUNT ADD "T".

CUSTOMER DRAWING

B	ADD NEW PART NUMBERS ET90049 2/5 HEB
A	ADD NEW PART NUMBERS ET80431 B/28 HEB
LTR.	REVISIONS

DIMENSIONS SHOWN (METRIC) INCH		REVISE ONLY ON CAD SYSTEM													
UNLESS OTHERWISE SPECIFIED TOLERANCES: ANGULAR ± 1/2°		TITLE													
		INSULKRIMP FEMALE F.I.Q.D. STANDARD FLARE													
<table border="1"> <tr> <th></th> <th>INCH</th> <th>METRIC</th> </tr> <tr> <td>3 PLACE</td> <td>± .005</td> <td>± ---</td> </tr> <tr> <td>2 PLACE</td> <td>± .01</td> <td>± 0.13</td> </tr> <tr> <td>1 PLACE</td> <td>± ---</td> <td>± 0.25</td> </tr> </table>			INCH	METRIC	3 PLACE	± .005	± ---	2 PLACE	± .01	± 0.13	1 PLACE	± ---	± 0.25	SHEET NO. DATE 06/17/94	
	INCH	METRIC													
3 PLACE	± .005	± ---													
2 PLACE	± .01	± 0.13													
1 PLACE	± ---	± 0.25													
DRAFT WHERE APPLICABLE MUST REMAIN WITHIN DIMENSIONS		Molex ETC INC. PINELLAS PARK, FLA. 33781 U.S.A.													
PART NO. SEE CHART		DRWG. NO. CD-2905													
DRWG. BY RCM	CHK'D. BY JM	FILE NAME CD2905 CST													
APP'D. BY FP	SCALE NO:NE	THIS DRAWING CONTAINS INFORMATION THAT IS PROPRIETARY TO MOLEX-ETC INC. AND SHOULD NOT BE USED WITHOUT WRITTEN PERMISSION.													
		DIV. ET	SIZE B												