

## **Excellent Integrated System Limited**

Stocking Distributor

Click to view price, real time Inventory, Delivery & Lifecycle Information:

[Molex Connector Corporation](#)  
[0190560023](#)

For any questions, you can email us directly:

[sales@integrated-circuit.com](mailto:sales@integrated-circuit.com)



FILE NO. A-CD-301-01

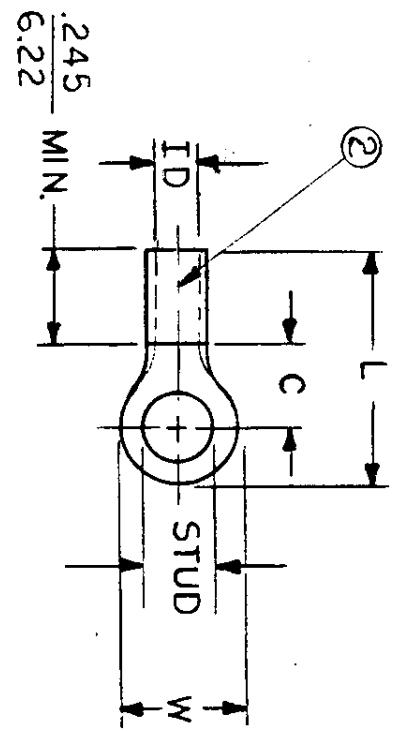
- NOTES:**
- ① MAT'L: COPPER  
PLATING: ELECTRO-TIN (.0003 MIN)
  - ② BRAZED SEAM

STUD SIZES: ( $\pm .005$ )

- 02 = .094
- 04 = .119
- 06 = .146
- 08 = .173
- 10 = .198
- 14 = .265
- 56 = .328
- 38 = .390

"UL" LISTING # E32244  
 "CSA" LISTING # 18689

ALL DIMENSIONS =  $\frac{\text{INCHES}}{\text{MM}}$



WIRE SIZE: 22-18 AWG  
 .25-1.5 MM<sup>2</sup>

PART NUMBER	"W" ±.010	"C" MIN.	"L" MAX.	"ID" MIN.	AVAILABLE STUD SIZES	STOCK THICKNESS	DIMENSIONAL TOLERANCES UNLESS OTHERWISE SPECIFIED	
							FRAC.	DEC.
A-320-	$\frac{.225}{5.72}$	$\frac{.157}{3.99}$	$\frac{.563}{14.30}$	$\frac{.062}{1.57}$	02, 04, 06	$\frac{.028}{.71}$	±	±
A-321-	$\frac{.312}{7.92}$	$\frac{.270}{6.86}$	$\frac{.720}{18.29}$	$\frac{.062}{1.57}$	06, 08, 10	$\frac{.028}{.71}$	±	±
A-322-	$\frac{.467}{11.86}$	$\frac{.386}{9.80}$	$\frac{.914}{23.22}$	$\frac{.062}{1.57}$	10, 14, 56	$\frac{.031}{.79}$	±	±
A-326-	$\frac{.534}{13.56}$	$\frac{.552}{14.02}$	$\frac{1.113}{28.27}$	$\frac{.054}{1.37}$	10, 14, 56, 38	$\frac{.028}{.71}$	±	±
A-332-	$\frac{.254}{6.45}$	$\frac{.240}{6.10}$	$\frac{.661}{16.79}$	$\frac{.062}{1.57}$	04, 06, 08	$\frac{.028}{.71}$	±	±

TITLE: RING TONGUE TERMINAL VERSAKRIMP 300 SERIES

SCALE: NTS

DATE: 11-28-64

CHKD. BY: GZ

APPRD. BY:

DWG. NO. A CUSTOMER DWG.