

## Excellent Integrated System Limited

Stocking Distributor

Click to view price, real time Inventory, Delivery & Lifecycle Information:

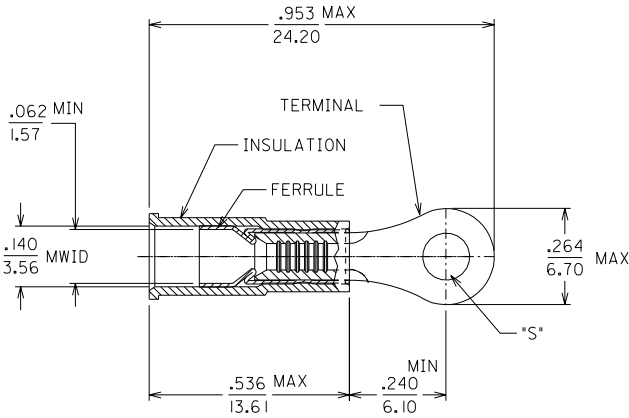
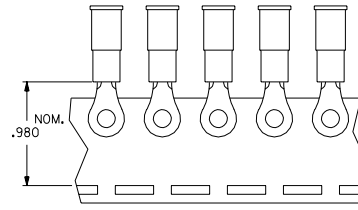
[Molex Connector Corporation](#)

[0190570030](#)

For any questions, you can email us directly:

[sales@integrated-circuit.com](mailto:sales@integrated-circuit.com)

MATERIAL NUMBER	ALTERNATE NUMBER	*S*	WIRE RANGE	COLOR	PACKAGING
I90570026	A-532-04	.119/3.02	22-18 AWG	RED	LOOSE PIECE
I90570028	A-526-06	.146/3.70	22-18 AWG	RED	LOOSE PIECE
I90570030	A-526-08	.173/4.39	22-18 AWG	RED	LOOSE PIECE
I90570027	A-526-04T	.119/3.02	22-18 AWG	RED	TAPE
I90570029	A-526-06T	.146/3.70	22-18 AWG	RED	TAPE
I90570031	A-526-08T	.173/4.39	22-18 AWG	RED	TAPE



- MATERIAL: TERMINAL: COPPER  
.028/.711 THICK.  
FUNNEL FERRULE: BRASS  
PLATING: ELECTRO TIN  
INSULATION: NYLON 6/6  
COLOR: SEE CHART
- MWID = MAXIMUM WIRE INSULATION DIAMETER
- ALL DIMENSIONS = INCHES / MM

CUSTOMER DRAWING

A	NEW CUST. DWG. ETC2001-0288 01/03/23 EDB
LTR.	REVISIONS

DIMENSIONS SHOWN (METRIC) INCH		REVISE ONLY ON CAD SYSTEM																
UNLESS OTHERWISE SPECIFIED TOLERANCES: ANGULAR ± 1/2°		TITLE																
		RING TONGUE TERMINAL AVIKRIMP 500 SERIES																
<table border="1"> <thead> <tr> <th></th> <th>INCH</th> <th>METRIC</th> </tr> </thead> <tbody> <tr> <td>3 PLACE</td> <td>± .005</td> <td>± ---</td> </tr> <tr> <td>2 PLACE</td> <td>± .01</td> <td>± 0.13</td> </tr> <tr> <td>1 PLACE</td> <td>± ---</td> <td>± 0.25</td> </tr> </tbody> </table>			INCH	METRIC	3 PLACE	± .005	± ---	2 PLACE	± .01	± 0.13	1 PLACE	± ---	± 0.25	<table border="1"> <tr> <td>ETC INC. PINELLAS PARK, FLA. 33781 U.S.A.</td> <td>SHEET NO. 1 OF 1</td> <td>DATE 01/03/23</td> </tr> </table>		ETC INC. PINELLAS PARK, FLA. 33781 U.S.A.	SHEET NO. 1 OF 1	DATE 01/03/23
	INCH	METRIC																
3 PLACE	± .005	± ---																
2 PLACE	± .01	± 0.13																
1 PLACE	± ---	± 0.25																
ETC INC. PINELLAS PARK, FLA. 33781 U.S.A.	SHEET NO. 1 OF 1	DATE 01/03/23																
DRAFT WHERE APPLICABLE MUST REMAIN WITHIN DIMENSIONS		PART NO. SEE TABLE																
<table border="1"> <tr> <td>DRWG. BY EDB</td> <td>CHK'D. BY HEB</td> </tr> <tr> <td>APP'D. BY RWD</td> <td>SCALE NO:NE</td> </tr> </table>		DRWG. BY EDB	CHK'D. BY HEB	APP'D. BY RWD	SCALE NO:NE	<table border="1"> <tr> <td>FILE NAME SD19057005 DGN</td> <td>DRWG. NO. SD-19057-005</td> </tr> </table>		FILE NAME SD19057005 DGN	DRWG. NO. SD-19057-005									
DRWG. BY EDB	CHK'D. BY HEB																	
APP'D. BY RWD	SCALE NO:NE																	
FILE NAME SD19057005 DGN	DRWG. NO. SD-19057-005																	
THIS DRAWING CONTAINS INFORMATION THAT IS PROPRIETARY TO MOLEX-ETC INC. AND SHOULD NOT BE USED WITHOUT WRITTEN PERMISSION		<table border="1"> <tr> <td>DIV. ET</td> <td>SIZE B</td> </tr> </table>		DIV. ET	SIZE B													
DIV. ET	SIZE B																	

10 9 8 7 6 5 4 3 2 1