

Excellent Integrated System Limited

Stocking Distributor

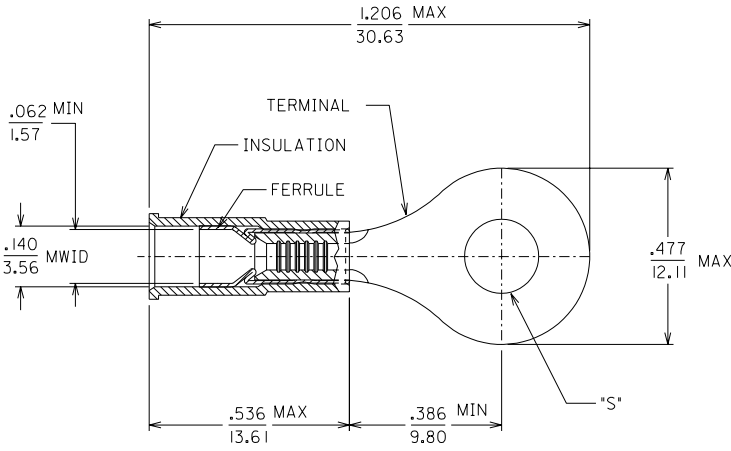
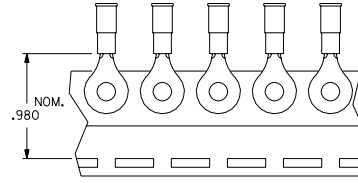
Click to view price, real time Inventory, Delivery & Lifecycle Information:

[Molex Connector Corporation](#)
[0190570015](#)

For any questions, you can email us directly:

sales@integrated-circuit.com

MATERIAL NUMBER	ALTERNATE NUMBER	"S"	WIRE RANGE	COLOR	PACKAGING
190570013	A-522-10	.198/5.02	22-18 AWG	RED	LOOSE PIECE
190570015	A-522-14	.265/6.73	22-18 AWG	RED	
190570017	A-522-56	.328/8.33	22-18 AWG	RED	TAPE
190570014	A-522-10T	.198/5.02	22-18 AWG	RED	
190570016	A-522-14T	.265/6.73	22-18 AWG	RED	
190570018	A-522-56T	.328/8.33	22-18 AWG	RED	



- MATERIAL: TERMINAL: COPPER
.028/.711 THICK
FUNNEL FERRULE: BRASS
PLATING: ELECTRO TIN
INSULATION: NYLON 6/6
COLOR: SEE CHART
- MWID = MAXIMUM WIRE INSULATION DIAMETER
- ALL DIMENSIONS = INCHES / MM

CUSTOMER DRAWING

A	NEW CUST. DWG. ETC2001-0288 01/03/23 EDB
L.T.R.	REVISIONS

DIMENSIONS SHOWN (METRIC) INCH		REVISE ONLY ON CAD SYSTEM													
UNLESS OTHERWISE SPECIFIED TOLERANCES: ANGULAR ± 1/2°		TITLE													
<table border="1"> <thead> <tr> <th></th> <th>INCH</th> <th>METRIC</th> </tr> </thead> <tbody> <tr> <td>3 PLACE</td> <td>± .005</td> <td>± ---</td> </tr> <tr> <td>2 PLACE</td> <td>± .01</td> <td>± 0.13</td> </tr> <tr> <td>1 PLACE</td> <td>± ---</td> <td>± 0.25</td> </tr> </tbody> </table>			INCH	METRIC	3 PLACE	± .005	± ---	2 PLACE	± .01	± 0.13	1 PLACE	± ---	± 0.25	RING TONGUE TERMINAL AVIKRIMP 500 SERIES	
	INCH	METRIC													
3 PLACE	± .005	± ---													
2 PLACE	± .01	± 0.13													
1 PLACE	± ---	± 0.25													
DRAFT WHERE APPLICABLE MUST REMAIN WITHIN DIMENSIONS		<table border="1"> <tr> <td>ETC INC. PINELLAS PARK, FLA. 33781 U.S.A.</td> <td>SHEET NO. 1 OF 1</td> <td>DATE 01/03/23</td> </tr> </table>		ETC INC. PINELLAS PARK, FLA. 33781 U.S.A.	SHEET NO. 1 OF 1	DATE 01/03/23									
ETC INC. PINELLAS PARK, FLA. 33781 U.S.A.	SHEET NO. 1 OF 1	DATE 01/03/23													
<table border="1"> <tr> <td>DRWG. BY: EDB</td> <td>CHK'D. BY: HEB</td> </tr> <tr> <td>APP'D. BY: RWD</td> <td>SCALE: NO:NE</td> </tr> </table>	DRWG. BY: EDB	CHK'D. BY: HEB	APP'D. BY: RWD	SCALE: NO:NE	<table border="1"> <tr> <td>PART NO. SEE TABLE</td> <td>DRWG. NO. SD-19057-003</td> </tr> <tr> <td>FILE NAME: SD19057003 DGN</td> <td>THIS DRAWING CONTAINS INFORMATION THAT IS PROPRIETARY TO MOLEX-ETC INC. AND SHOULD NOT BE USED WITHOUT WRITTEN PERMISSION.</td> </tr> </table>	PART NO. SEE TABLE	DRWG. NO. SD-19057-003	FILE NAME: SD19057003 DGN	THIS DRAWING CONTAINS INFORMATION THAT IS PROPRIETARY TO MOLEX-ETC INC. AND SHOULD NOT BE USED WITHOUT WRITTEN PERMISSION.	<table border="1"> <tr> <td>DIV. ET</td> <td>SIZE B</td> </tr> </table>		DIV. ET	SIZE B		
DRWG. BY: EDB	CHK'D. BY: HEB														
APP'D. BY: RWD	SCALE: NO:NE														
PART NO. SEE TABLE	DRWG. NO. SD-19057-003														
FILE NAME: SD19057003 DGN	THIS DRAWING CONTAINS INFORMATION THAT IS PROPRIETARY TO MOLEX-ETC INC. AND SHOULD NOT BE USED WITHOUT WRITTEN PERMISSION.														
DIV. ET	SIZE B														