



**Distributor of Molex Connector Corporation: Excellent Integrated System Limited**  
Datasheet of 0190100029 - Connector Quick Connect Receptacle/Tab 10-12 AWG 0.250"  
(6.35mm) Crimp

Contact us: [sales@integrated-circuit.com](mailto:sales@integrated-circuit.com) Website: [www.integrated-circuit.com](http://www.integrated-circuit.com)

---

## **Excellent Integrated System Limited**

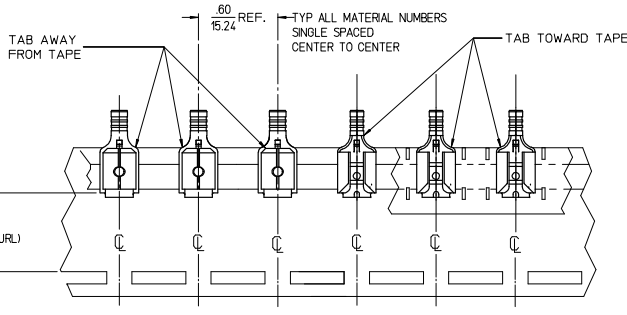
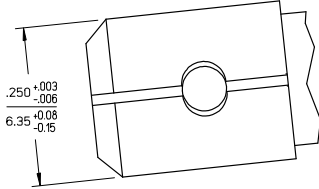
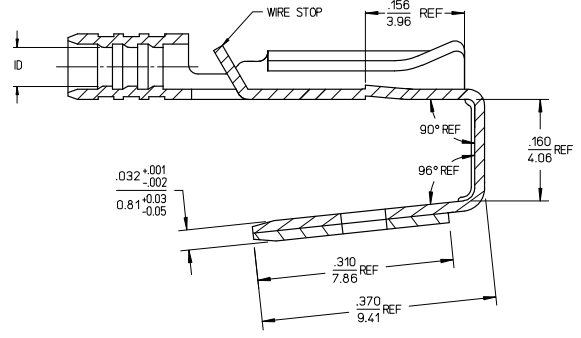
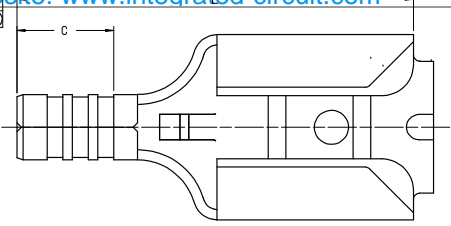
Stocking Distributor

Click to view price, real time Inventory, Delivery & Lifecycle Information:

[Molex Connector Corporation](#)  
[0190100029](#)

For any questions, you can email us directly:  
[sales@integrated-circuit.com](mailto:sales@integrated-circuit.com)

MATERIAL NO.	ENGINEERING NO.	MATERIAL NO.	ENGINEERING NO.	WIRE SIZE	ID	C	L	H (D)	BARE TAB POSITION
LOOSE PC	LOOSE PC	ON TAPE	ON TAPE	MINIMUM	MINIMUM	±.015/0.38	±.030/0.76	NOMINAL	
190100027	AA-1301	190100031	AA-1301T	22-18 AWG	.055/1.40	.190/4.83	.625/15.88	.540/13.72	AWAY FROM TAPE
190100028	BB-1302	190100032	BB-1302T	16-14 AWG	.080/2.03	.190/4.83	.625/15.88	.540/13.72	AWAY FROM TAPE
190100029	C-1303	190100033	C-1303T	12-10 AWG	.169/4.29	.254/6.45	.685/17.40	.565/14.35	TOWARD TAPE (D)



PARTS ON TAPE (SCALE 2:1)

NOTES:

1. TERMINAL MATERIAL: BRASS
2. TERMINAL FINISH: TIN PLATED
3. PART IS ROHS COMPLIANT.

TAPE ORIENTATION EC NO: WNA2006-0032 DRAWN BY: THRODAHL 2006/03/14 CHKD: JMCNEIL 2006/03/11 APPR: JMCNEIL 2006/03/11	QUALITY SYMBOLS ▽=0 ▽=0	GENERAL TOLERANCES (UNLESS SPECIFIED)		DIMENSION STYLE IN/MM	SCALE 10:1	DESIGN UNITS INCH	THIRD ANGLE PROJECTION	
		4 PLACES ± --- ± --- 3 PLACES ± --- ± .005 2 PLACES ± 0.13 ± .01 1 PLACE ± 0.25 ± ---	mm INCH	DRAWN BY JH	DATE 1996/03/19	TITLE PIGGYBACK QD, .250 X .032 TAB, KRIMPTITE		
		ANGULAR ± 1/2°	APPROVED BY RWD	DATE 1996/03/19	MOLEX INCORPORATED			
DRAFT WHERE APPLICABLE MUST REMAIN WITHIN DIMENSIONS	SEE CHART	MATERIAL NO. SD-19010-001	DOCUMENT NO.	SHEET NO. 1 OF 1				