

## Excellent Integrated System Limited

Stocking Distributor

Click to view price, real time Inventory, Delivery & Lifecycle Information:

[Molex Connector Corporation](#)  
[0191470050](#)

For any questions, you can email us directly:

[sales@integrated-circuit.com](mailto:sales@integrated-circuit.com)



FILE NO. **BB-CD-303-02**

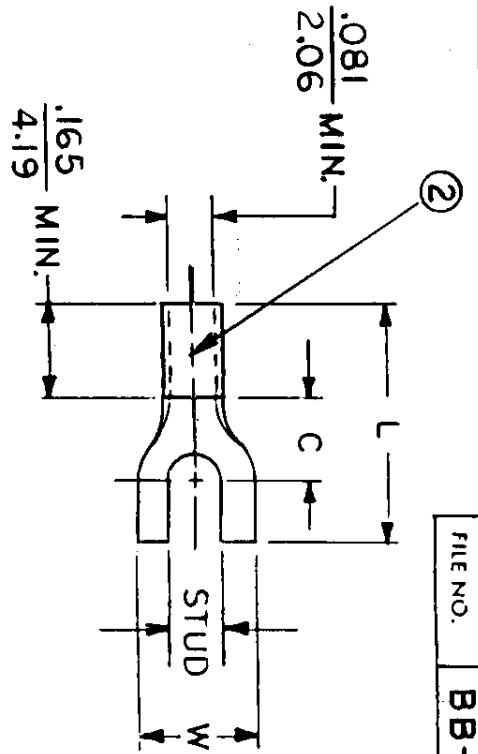
**NOTES:**

- ① MAT'L: COPPER (STOCK TKN.  $\frac{.031}{.79}$ ) <sup>±.001</sup>
- PLATING: ELECTRO-TIN (.0003 MIN.)
- ② BRAZED SEAM

STUD SIZES: ( $\pm .005$ )

- 02 = .094
- 04 = .119
- 06 = .146
- 08 = .173
- 10 = .198
- 14 = .265
- 56 = .328
- 38 = .390

"UL" LISTING # E32244  
 "CSA" LISTING # 18689



ALL DIMENSIONS =  $\frac{\text{INCHES}}{\text{MM}}$

WIRE SIZE: 16 - 14 AWG  
 1.0 - 2.5 MM<sup>2</sup>

PART NUMBER	"W" ±.010	"C" MIN.	"L" MAX.	AVAILABLE STUD SIZES
BB-307-	$\frac{.245}{6.22}$	$\frac{.209}{5.31}$	$\frac{.565}{14.35}$	04, 06
BB-324-	$\frac{.295}{7.49}$	$\frac{.211}{5.36}$	$\frac{.564}{14.33}$	04, 06, 08
BB-327-	$\frac{.362}{9.19}$	$\frac{.269}{6.83}$	$\frac{.687}{17.45}$	06, 08, 10

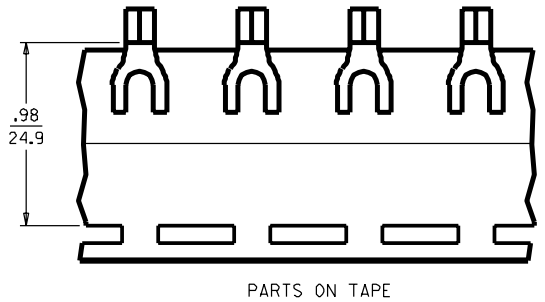
DIMENSIONAL TOLERANCES UNLESS OTHERWISE SPECIFIED		REFERENCE	SCALE: NTS	DATE	TITLE:
FRAC.	DEC.	ANG.	DRWN. BY: JJ	11-27-84	SPADE TONGUE TERMINAL
±	±	±	CHKD. BY: GK	11-11-84	VERSAKRIMP 300-SERIES
			APPRD. BY:		

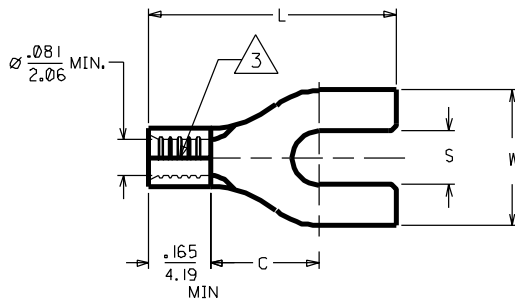
DWG. NO.	A	CUSTOMER DWG.
----------	---	---------------



MATERIAL NUMBER	ALTERNATE NUMBER	STUD SIZE	"S" ±.005/(0.13)	"W" ±.010/(0.25)	"C" ±.009/(5.31)	"L" ±.009/(5.31)	PACKAGING
191470040	BB-307-04	4	.119/(3.02)	.245/(6.22)	.209/(5.31)	.565/(14.35)	LOOSE PIECE
191470042	BB-307-06	6	.146/(3.71)	.245/(6.22)	.209/(5.31)	.565/(14.35)	
191470044	BB-324-04	4	.119/(3.02)	.295/(7.49)	.211/(5.36)	.564/(14.33)	
191470046	BB-324-06	6	.146/(3.71)	.295/(7.49)	.211/(5.36)	.564/(14.33)	
191470048	BB-324-08	8	.173/(4.39)	.295/(7.49)	.211/(5.36)	.564/(14.33)	
191470050	BB-327-06	6	.146/(3.71)	.362/(9.19)	.269/(6.83)	.687/(17.45)	
191470052	BB-327-08	8	.173/(4.39)	.388/(9.85)	.269/(6.83)	.687/(17.45)	
191470054	BB-327-10	10	.198/(5.03)	.388/(9.85)	.269/(6.83)	.687/(17.45)	
191470043	BB-307-06T	6	.146/(3.71)	.245/(6.22)	.209/(5.31)	.565/(14.35)	TAPE MOUNTED
191470045	BB-324-04T	4	.119/(3.02)	.295/(7.49)	.211/(5.36)	.564/(14.33)	
191470047	BB-324-06T	6	.146/(3.71)	.295/(7.49)	.211/(5.36)	.564/(14.33)	
191470049	BB-324-08T	8	.173/(4.39)	.295/(7.49)	.211/(5.36)	.564/(14.33)	
191470051	BB-327-06T	6	.146/(3.71)	.362/(9.19)	.269/(6.83)	.687/(17.45)	
191470053	BB-327-08T	8	.173/(4.39)	.388/(9.85)	.269/(6.83)	.687/(17.45)	
191470055	BB-327-10T	10	.198/(5.03)	.388/(9.85)	.269/(6.83)	.687/(17.45)	



PARTS ON TAPE



NOTES:  
 1. MATERIAL: COPPER .031/(.79) THICK.  
 2. PLATING: ELECTRO-TIN.  
 3. BRAZED SEAM.  
 4. ALL DIMENSIONS IN INCHES/(MM).

CUSTOMER DRAWING

DIMENSIONS SHOWN (METRIC) INCH		<b>REVISE ONLY ON CAD SYSTEM</b>																			
UNLESS OTHERWISE SPECIFIED TOLERANCES: ANGULAR ± 1/2°		TITLE SPADE TONGUE TERMINAL 16-14 AWG VERSAKRIMP, 300-SERIES																			
<table border="1"> <thead> <tr> <th></th> <th>INCH</th> <th>METRIC</th> </tr> </thead> <tbody> <tr> <td>3 PLACE</td> <td>± .005</td> <td>± ---</td> </tr> <tr> <td>2 PLACE</td> <td>± .01</td> <td>± 0.13</td> </tr> <tr> <td>1 PLACE</td> <td>± ---</td> <td>± 0.25</td> </tr> </tbody> </table>			INCH	METRIC	3 PLACE	± .005	± ---	2 PLACE	± .01	± 0.13	1 PLACE	± ---	± 0.25	<table border="1"> <tr> <td>ETC INC.</td> <td>SHEET NO.</td> <td>DATE</td> </tr> <tr> <td>PINELLAS PARK, FLA. 33781 U.S.A.</td> <td>1 OF 1</td> <td>99 / 11 / 12</td> </tr> </table>		ETC INC.	SHEET NO.	DATE	PINELLAS PARK, FLA. 33781 U.S.A.	1 OF 1	99 / 11 / 12
	INCH	METRIC																			
3 PLACE	± .005	± ---																			
2 PLACE	± .01	± 0.13																			
1 PLACE	± ---	± 0.25																			
ETC INC.	SHEET NO.	DATE																			
PINELLAS PARK, FLA. 33781 U.S.A.	1 OF 1	99 / 11 / 12																			
DRAFT WHERE APPLICABLE MUST REMAIN WITHIN DIMENSIONS		PART NO. <b>SEE TABLE</b> DRAWING NO. <b>SD-19147-002</b>																			
DRWG. BY: HEB	CHK'D. BY: RWD	FILE NAME: 19147002 DGN	THIS DRAWING CONTAINS INFORMATION THAT IS PROPRIETARY TO HEB/EIS INC. AND SHOULD NOT BE USED WITHOUT WRITTEN PERMISSION.																		
APP'D. BY: RWD	SCALE: 4:1		DWG. SIZE: ET B																		

VOIDS BB-CD-303-02 ETC 1999-0055 1999/11/12 HEB	
LTR.	REVISIONS