



**Distributor of Molex Connector Corporation: Excellent Integrated System Limited**  
Datasheet of 0190070060 - Connector Quick Connect Receptacle 14-16 AWG 0.187"  
(4.75mm) Crimp

Contact us: [sales@integrated-circuit.com](mailto:sales@integrated-circuit.com) Website: [www.integrated-circuit.com](http://www.integrated-circuit.com)

---

## **Excellent Integrated System Limited**

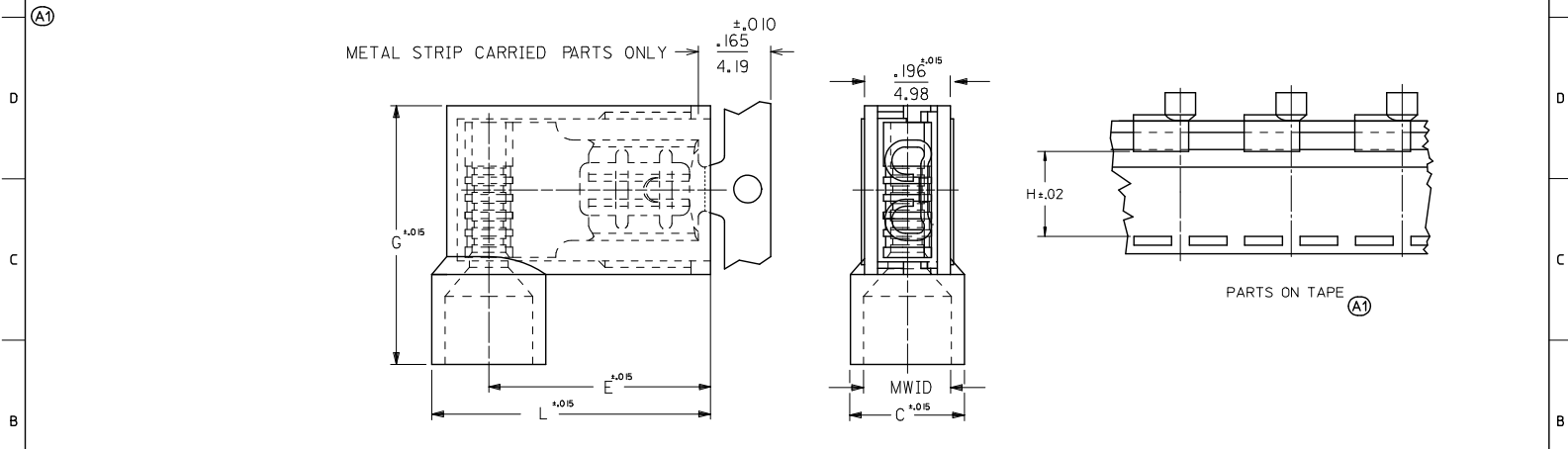
Stocking Distributor

Click to view price, real time Inventory, Delivery & Lifecycle Information:

[Molex Connector Corporation](#)  
[0190070060](#)

For any questions, you can email us directly:  
[sales@integrated-circuit.com](mailto:sales@integrated-circuit.com)

10		9		8		7		6		5		4		3		2		19007		
LOOSE PIECE		METAL STRIP CARRIED		MYLAR TAPE CARRIED		FEATURES		DIMENSIONS												
MATERIAL NUMBER	ENGINEERING NUMBER	MATERIAL NUMBER	ENGINEERING NUMBER	MATERIAL NUMBER	ENGINEERING NUMBER	AWG	COLOR	FITS TAB SIZE	MWID	L	G	E	C	H						
190070009	AA-2222	190070014	AA-2222Z	190070010	AA-2222T	22-18	RED	.187 x .020	.176/4.47	.630/16.00	.585/14.86	.512/13.00	.236/5.99	.93/23.6						
190070011	AA-2222X	190070013	AA-2222XZ	190070012	AA-2222XT	22-18	RED	.187 x .020	.240/6.10	.662/16.81	.625/15.88	.512/13.00	.300/7.62	.93/23.6						
190070015	AA-2223	190070020	AA-2223Z	190070016	AA-2223T	22-18	RED	.187 x .020	.176/4.47	.630/16.00	.585/14.86	.512/13.00	.236/5.99	.93/23.6						
190070017	AA-2223X	190070019	AA-2223XZ	190070018	AA-2223XT	22-18	RED	.187 x .020	.240/6.10	.662/16.81	.625/15.88	.512/13.00	.300/7.62	.93/23.6						
190070029	BB-2224	190070034	BB-2224Z	190070030	BB-2224T	16-14	BLUE	.187 x .032	.200/5.08	.630/16.00	.585/14.86	.500/12.70	.260/6.60	.93/23.6						
190070031	BB-2224X	190070033	BB-2224XZ	190070032	BB-2224XT	16-14	BLUE	.187 x .032	.265/6.73	.670/17.02	.625/15.88	.500/12.70	.325/8.26	.93/23.6						
190070035	BB-2225	190070039	BB-2225Z	190070036	BB-2225T	16-14	BLUE	.187 x .032	.200/5.08	.630/16.00	.585/14.86	.500/12.70	.260/6.60	.93/23.6						
190070037	BB-2225X	190070060	BB-2225XZ	190070038	BB-2225XT	16-14	BLUE	.187 x .032	.265/6.73	.670/17.02	.625/15.88	.500/12.70	.325/8.26	.93/23.6						



- NOTES:  
 1. MWID: MAX. WIRE INSULATION DIA.  
 2. MATERIAL:  
 HOUSING: NYLON  
 TERMINAL: TIN PLATED BRASS.  
 3. ASSEMBLY IS ROHS COMPLIANT.

REDRAWN: ADD PARTS EC NO: IPG2016-0913 DRAWING: JAS01 2015/12/17 CHKD: MACNEIL 2015/12/18 APPR: MACNEIL 2015/12/31 REV A1	QUALITY SYMBOLS ▽=0 ▽=0	GENERAL TOLERANCES (UNLESS SPECIFIED)		DIMENSION STYLE IN/MM		SCALE	DESIGN UNITS	THIRD ANGLE PROJECTION
		4 PLACES ± --- ± --- 3 PLACES ± --- ± .005 2 PLACES ± 0.13 ± .01 1 PLACE ± 0.25 ± --- 0 PLACE ± ±	mm INCH INCH mm	DRAWN BY RM DATE 1989/07/26 CHECKED BY JM DATE 1989/07/26 APPROVED BY DATE 2015/12/31	TITLE FLAG QUICK DISCONNECT FULLY INSULATED .187X.020 &.032 TAB SIZE	MATERIAL NO. SEE CHART DOCUMENT NO. SD-19007-005	SHEET NO. 1 OF 1	