

## Excellent Integrated System Limited

Stocking Distributor

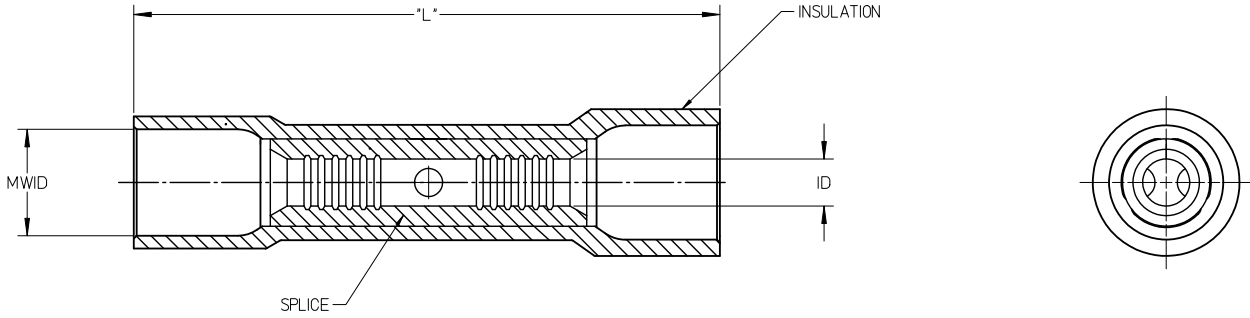
Click to view price, real time Inventory, Delivery & Lifecycle Information:

[Molex Connector Corporation](#)  
[0192020273](#)

For any questions, you can email us directly:

[sales@integrated-circuit.com](mailto:sales@integrated-circuit.com)

10	9	8	7	6	5	4	3	2	1
MATERIAL NUMBER	ENGINEERING NUMBER	WIRE SIZE AWG	INSULATION COLOR	SPLICE ID MIN	MWID	LENGTH "L" MAX			
192020271	A-945X	22-18	RED	.055/ 1.40	.147/3.74	1.070/27.18			
192020272	B-931X	16-14	BLUE	.078/ 1.98	.185/4.70	1.070/27.18			
192020273	C-946X	12-10	YELLOW	.124/ 3.15	.261/6.63	1.150/29.21			



NOTES:

1. SPLICE MATERIAL: COPPER
2. SPLICE FINISH: TIN
3. INSULATION MATERIAL: NYLON 6/6
4. MWID = MAXIMUM WIRE INSULATION DIAMETER
4. ASSEMBLY IS ROHS COMPLIANT.

INITIAL RELEASE EC NO: WNA/2011-0271 DRAWN BY: ETHRODAHL 2011/02/07 CHKD: JMACNEIL 2011/02/08 APPR: JMACNEIL 2011/02/25	QUALITY SYMBOLS ▽=0 ▽=0	GENERAL TOLERANCES (UNLESS SPECIFIED)		DIMENSION STYLE IN/MM		SCALE ---	DESIGN UNITS INCH	THIRD ANGLE PROJECTION	
		4 PLACES	± ---	± ---	DRAWN BY	DATE	TITLE BUTT CONNECTOR, SEAMED NYLAKRIMP, 22-10 AWG EXPANDED FLARE		
		3 PLACES	± ---	± .005	CHECKED BY	DATE			
		2 PLACES	± 0.13	± .010	JMACNEIL	2011/02/08	APPROVED BY JMACNEIL 2011/02/25		
1 PLACE	± 0.25	± .020	ANGULAR ± ---°		MATERIAL NO. SEE CHART		DOCUMENT NO. SD-19202-010		
DRAFT WHERE APPLICABLE MUST REMAIN WITHIN DIMENSIONS				SIZE B		THIS DRAWING CONTAINS INFORMATION THAT IS PROPRIETARY TO MOLEX INCORPORATED AND SHOULD NOT BE USED WITHOUT WRITTEN PERMISSION			