

Excellent Integrated System Limited

Stocking Distributor

Click to view price, real time Inventory, Delivery & Lifecycle Information:

[Molex Connector Corporation](#)
[0190560081](#)

For any questions, you can email us directly:

sales@integrated-circuit.com

FILE NO. BHD - CD-301 - 01

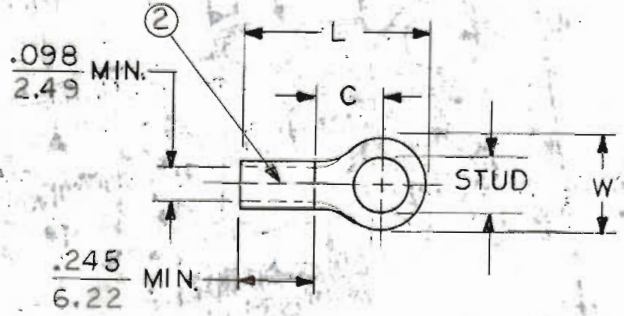
NOTES:

- ① MAT'L: COPPER (STOCK TKN. $\frac{.050}{1.27}$)
 PLATING: ELECTRO-TIN (.0003 MIN.)
- ② BRAZED SEAM

STUD SIZES: ($\pm .005$)

- 02 = .094 76 = .453
- 04 = .119 12 = .515
- 06 = .146
- 08 = .173
- 10 = .198
- 14 = .265
- 56 = .328
- 38 = .390

"UL" LISTING #E32244
 "CSA" LISTING #18689



ALL DIMENSIONS = $\frac{\text{INCHES}}{\text{MM}}$

WIRE SIZE: 16-14 AWG
 1.0-2.5 MM²

PART NUMBER	"W" $\pm .010$	"C" MIN.	"L" MAX.				AVAILABLE STUD SIZES
B-301-	$\frac{.750}{19.05}$	$\frac{.611}{15.52}$	$\frac{1.280}{32.51}$				14HD, 56HD, 38HD, 76HD, 12HD
B-328-	$\frac{.375}{9.53}$	$\frac{.303}{7.70}$	$\frac{.785}{19.94}$				06HD, 08HD, 10HD
B-330-	$\frac{.530}{13.46}$	$\frac{.393}{9.98}$	$\frac{.952}{24.18}$				10HD, 14HD, 56HD
B-336-	$\frac{.282}{7.16}$	$\frac{.306}{7.77}$	$\frac{.741}{18.82}$				04HD, 06HD, 08HD
B-340-	$\frac{.592}{15.04}$	$\frac{.466}{11.84}$	$\frac{1.056}{26.82}$				10HD, 14HD, 56HD, 38HD

DIMENSIONAL TOLERANCES UNLESS OTHERWISE SPECIFIED			REFERENCE	SCALE: NTS	DATE	TITLE: RING TONGUE HEAVY DUTY TERMINAL VERSAKRIMP 300-SERIES	
FRAC.	DEC.	ANG.		DRWN. BY: JJ	11-28-84		
\pm	\pm	\pm		CHKD. BY: GL	12-13-84		
				APPRD. BY:		DWG. NO. A	CUSTOMER DWG.