

Excellent Integrated System Limited

Stocking Distributor

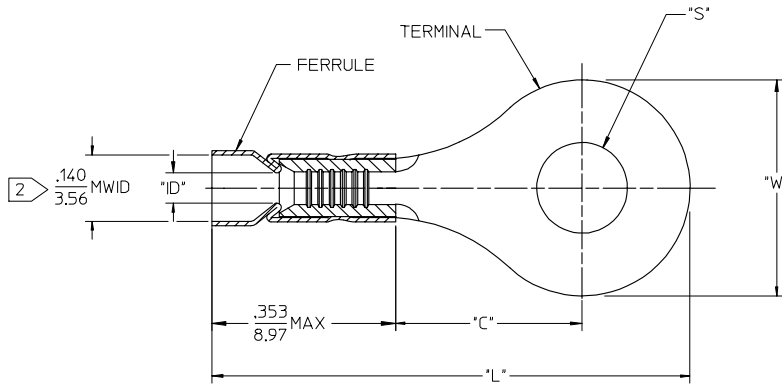
Click to view price, real time Inventory, Delivery & Lifecycle Information:

[Molex Connector Corporation](#)
[0190720017](#)

For any questions, you can email us directly:

sales@integrated-circuit.com

	10	9	8	7	6	5	4	3	2	19072
MATERIAL NUMBER	ENGINEERING NUMBER	MILITARY NUMBER	STUD SIZE	"S" ±.005/±0.13	STOCK THICKNESS REF	"W" ±.010/0.25	"C" MIN	"L" MAX	"ID" MIN	
190720006	AA-420-02	---	02	.094/2.39	.028/0.71	.225/5.72	.157/3.99	.657/16.69	.062/1.57	
190720008	AA-420-04	MS-20659-138	04	.119/3.02						
190720010	AA-420-06	MS-20659-101	06	.146/3.71						
190720012	AA-421-06	---	08	.173/4.39						
190720014	AA-421-08	---	10	.198/5.03						
190720016	AA-421-10	MS-20659-102	209	.209/5.30	.031/0.79	.534/13.56	.552/14.02	1.207/30.60	.054/1.37	
190720018	AA-421-209	---	10	.198/5.03						
190720025	AA-426-10	---	14	.265/6.73						
190720030	AA-426-56	MS-20659-161	56	.328/8.33						
190720028	AA-426-38	MS-20659-125	38	.390/9.91						



NOTES:
 1. MATERIAL: TERMINAL: COPPER
 FUNNEL FERRULE: BRASS
 PLATING: ELECTRO TIN.
 2. MVID = MAXIMUM WIRE INSULATION.

SALES DRAWING

WAS A PART OF AA-ID-404-01 EC NO: ETC2005-0035 DRAWN: BENDERLE 2004/08/18 CHECKED: DERROSS 2004/08/18 APPR: DERROSS 2004/08/18	QUALITY SYMBOLS -0 -0	GENERAL TOLERANCES (UNLESS SPECIFIED)		SCALE NONE	DESIGN UNITS INCH	THIRD ANGLE PROJECTION	REVISE ON CAD ONLY	
				DIMENSION STYLE IN/MM		TITLE RING TONGUE TERMINAL VIBRAKRIMP 22-18 AWG		
				DRAWN BY BENDERLE DATE 2004/08/18		MATERIAL NO. MOLEX INCORPORATED		
				CHECKED BY R DERROSS DATE 2004/08/18		APPROVED BY R DERROSS DATE 2004/08/18		DOCUMENT NO. SD-19072-001
		DRAFT WHERE APPLICABLE MUST REMAIN WITHIN DIMENSIONS		THIS DRAWING CONTAINS INFORMATION THAT IS PROPRIETARY TO MOLEX INCORPORATED AND SHOULD NOT BE USED WITHOUT WRITTEN PERMISSION				