

Excellent Integrated System Limited

Stocking Distributor

Click to view price, real time Inventory, Delivery & Lifecycle Information:

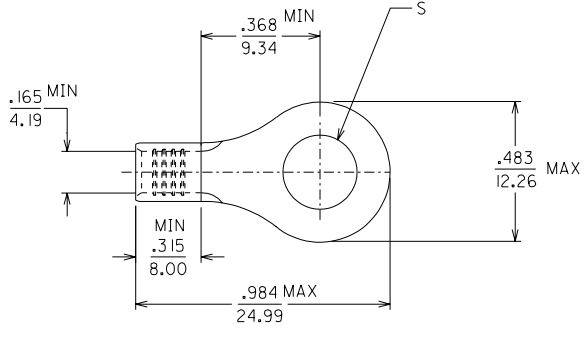
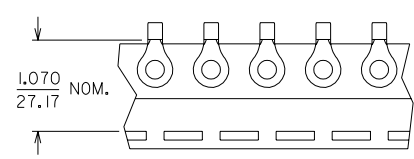
[Molex Connector Corporation](#)
[0191930846](#)

For any questions, you can email us directly:

sales@integrated-circuit.com



MATERIAL NUMBER	ALTERNATE NUMBER	STUD SIZE	PACKAGING
I91930143	D-350-06	.146	LOOSE PIECE
I91930146	D-350-08	.173	
I91930149	D-350-10	.198	
I91930152	D-350-14	.265	
I91930157	D-350-56	.328	
I91930145	D-350-06T	.146	TAPE PARTS
I91930148	D-350-08T	.173	
I91930151	D-350-10T	.198	
I91930155	D-350-14T	.265	
I91930158	D-350-56T	.328	



1. MATERIAL: TERMINAL: COPPER
 .050 THICK,
 PLATING: ELECTRO TIN
 2. ALL DIMENSIONS = INCHES / MM

CUSTOMER DRAWING

A	NEW CUST. DWG. ETC2001-0269 01/01/23 EDB
L.T.R.	REVISIONS

DIMENSIONS SHOWN (METRIC/INCH) UNLESS OTHERWISE SPECIFIED TOLERANCES: ANGULAR ± 1/2°		REVISE ONLY ON CAD SYSTEM													
<table border="1"> <thead> <tr> <th></th> <th>INCH</th> <th>METRIC</th> </tr> </thead> <tbody> <tr> <td>3 PLACE</td> <td>± .005</td> <td>± ---</td> </tr> <tr> <td>2 PLACE</td> <td>± .01</td> <td>± 0.13</td> </tr> <tr> <td>1 PLACE</td> <td>± ---</td> <td>± 0.25</td> </tr> </tbody> </table>			INCH	METRIC	3 PLACE	± .005	± ---	2 PLACE	± .01	± 0.13	1 PLACE	± ---	± 0.25	TITLE: RING TONGUE TERMINAL #8 AWG ETC INC. PINELLAS PARK, FLA. 33781 U.S.A. SHEET NO. 1 OF 1 DATE 01/01/23	
	INCH	METRIC													
3 PLACE	± .005	± ---													
2 PLACE	± .01	± 0.13													
1 PLACE	± ---	± 0.25													
DRAFT WHERE APPLICABLE MUST REMAIN WITHIN DIMENSIONS		PART NO. SEE TABLE													
DRWG. BY: EDB	CHK'D. BY: HEB	DRWG. NO. SD-19193-016													
APP'D. BY: RWD	SCALE: NO:NE	FILE NAME: SD19193016 DGN THIS DRAWING CONTAINS INFORMATION THAT IS PROPRIETARY TO MOLEX-ETC INC. AND SHOULD NOT BE USED WITHOUT WRITTEN PERMISSION.													
		DIV: ET	SIZE: B												