

Excellent Integrated System Limited

Stocking Distributor

Click to view price, real time Inventory, Delivery & Lifecycle Information:

[Molex Connector Corporation](#)

[0190570075](#)

For any questions, you can email us directly:

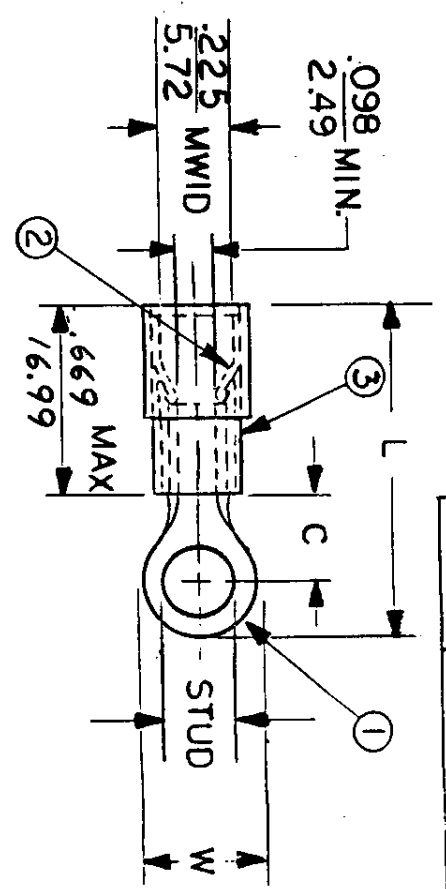
sales@integrated-circuit.com



FILE NO. BHD-CD-501-01

- NOTES:**
- ① MAT'L: COPPER (STOCK TKN. $\frac{.050}{1.27}$)
 - ② PLATING: ELECTRO TIN (.0003 MIN)
 - ③ TIN-PLATED BRASS FUNNEL FERRULE
 - ④ NYLON INSULATION (COLOR CODED YELLOW)
- STUD SIZES: ($\pm .005$)

"UL" LISTING #E32244
 "CSA" LISTING #18689
 WIRE SIZE: 16-14 AWG
 10-2.5 MM²



ALL DIMENSIONS = $\frac{\text{INCHES}}{\text{MM}}$ (MWID) = DENOTES MAXIMUM WIRE INSULATION DIAMETER

PART NUMBER	"W" ±.010	"C" MIN.	"L" MAX.	AVAILABLE STUD SIZES
B-501-	$\frac{.750}{19.05}$	$\frac{.611}{15.52}$	$\frac{1.700}{43.18}$	14HD, 56HD, 38HD, 76HD, 12HD
B-528-	$\frac{.375}{9.53}$	$\frac{.303}{7.70}$	$\frac{1.205}{30.61}$	06HD, 08HD, 10HD
B-530-	$\frac{.530}{13.46}$	$\frac{.393}{9.98}$	$\frac{1.372}{34.85}$	10HD, 14HD, 56HD
B-536-	$\frac{.282}{7.16}$	$\frac{.306}{7.77}$	$\frac{1.161}{29.49}$	04HD, 06HD, 08HD, 10HD, 14HD, 56HD, 38HD
B-540-	$\frac{.592}{15.04}$	$\frac{.466}{11.84}$	$\frac{1.476}{37.49}$	

DIMENSIONAL TOLERANCES UNLESS OTHERWISE SPECIFIED		REFERENCE	SCALE:	NTS	DATE	TITLE:
FRAC.	DEC.	ANG.	DRWN. BY: JJ	11.29.84	RING TONGUE HEAVY DUTY TERMINAL	
±	±	±	CHKD. BY: GZ	11.13.84	AVIKRIMP 500-SERIES	
			APPRD. BY:			

DWG. NO. A CUSTOMER DWG