

Excellent Integrated System Limited

Stocking Distributor

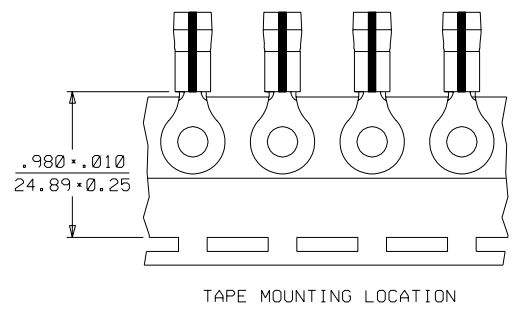
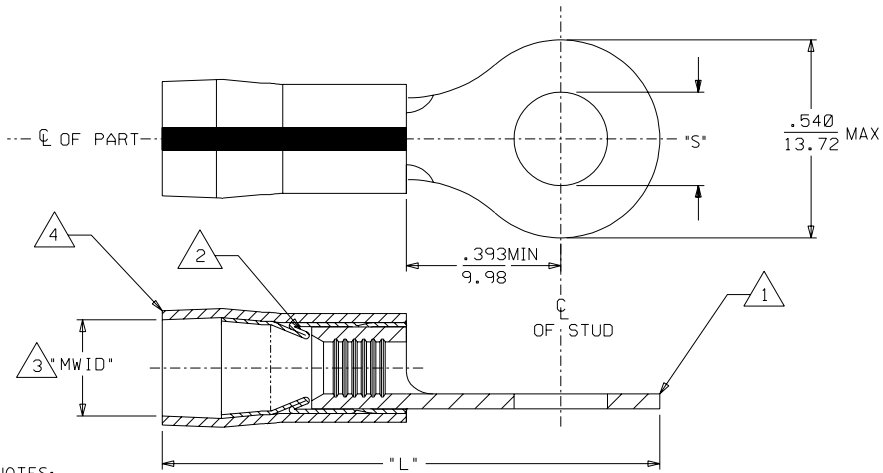
Click to view price, real time Inventory, Delivery & Lifecycle Information:

[Molex Connector Corporation](#)
[0190580064](#)

For any questions, you can email us directly:

sales@integrated-circuit.com

MATERIAL NUMBER	ENGINEERING NUMBER	STUD SIZE	MAX "S"	"MWID"	MAX "L"	INSULATION MAT.	PACKAGING
190580058	B-830-10HRRR	10	.214	.245	1.36	YEL. NYLON W/3 BLK STRIPES	LOOSE PIECE
190580066	B-830-14HRRR	*	.278	.245	1.36	YEL. PVC W/3 BLK STRIPES	
190580075	B-830-56HRRR	*	.340	.245	1.36	YEL. NYLON W/3 BLK STRIPES	TAPE MOUNTED (C)
190580059	B-830-10HRRRT	10	.214	.245	1.36	YEL. NYLON W/3 BLK STRIPES	
190580067	B-830-14HRRRT	*	.278	.245	1.36	YEL. PVC W/3 BLK STRIPES	
190580076	B-830-56HRRRT	*	.340	.245	1.36	YEL. NYLON W/3 BLK STRIPES	



- NOTES:
- 1. TERMINAL MATERIAL: BRASS
FINISH: ELECTRO-TIN
 - 2. FERRULE MATERIAL: BRASS
FINISH: ELECTRO-TIN.
 - 3. "MWID" = MAXIMUM WIRE INSULATION DIAMETER.
 - 4. INSULATION MATERIAL SEE CHART.

SALES DRAWING

MATERIAL CHG EC NO. ETC2002-0256 DRW: BRE 020308 CHK: HEB 020308 APPR: RWD 020308	DESCRIPTION REV	QUALITY SYMBOLS MAJOR CRITICAL MINOR	GENERAL TOLERANCES: (UNLESS SPECIFIED)		SCALE NO: NE	DESIGN UNITS <input type="checkbox"/> mm <input checked="" type="checkbox"/> INCH	DIMENSIONS: <input type="checkbox"/> mm <input checked="" type="checkbox"/> INCH <input type="checkbox"/> mm ONLY	SHT REV
			4 PLACES ±0. ±. 3 PLACES ±0. ±.005 2 PLACES ±0.13 ±.01 1 PLACE ±0.25 ±. ANGULAR: ± 2°	DRAWN BY & DATE BRE 01/12/20 CHECKED BY & DATE HEB 01/12/20 APPROVED BY & DATE RWD 01/12/20	TITLE: AVIKRIMP RAILROAD RING TONGUE TERMINALS 16-14 AWG		MOLEX INCORPORATED SEE CHART	MATERIAL NO. SD-19058-005