

Excellent Integrated System Limited

Stocking Distributor

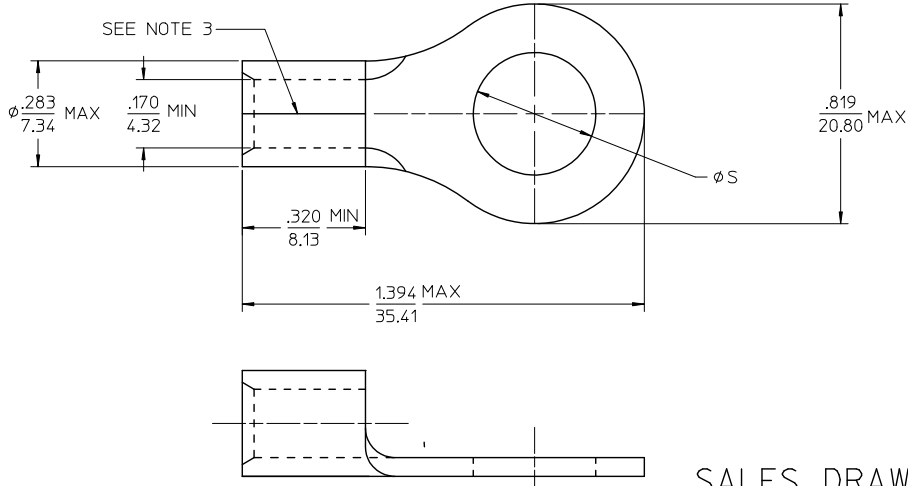
Click to view price, real time Inventory, Delivery & Lifecycle Information:

[Molex Connector Corporation](#)
[0191930903](#)

For any questions, you can email us directly:

sales@integrated-circuit.com

10	9	8	7	6	5	4	3	2	19193
MATERIAL NUMBER	ENGINEERING NUMBER	STUD SIZE	ϕS $\pm.005/\pm0.13$	PACKAGING					
191930178	D-352-10	10	.198/5.03	LOOSE PIECE	<p>PARTS ON TAPE DOUBLE SPACED</p>				
191930182	D-352-14	1/4	.265/6.73						
191930185	D-352-56	5/16	.328/8.33						
191930184	D-352-38	3/8	.390/9.91						
191930187	D-352-76	7/16	.453/11.51						
191930179	D-352-12	1/2	.515/13.08	TAPE MOUNTED					
191930186	D-352-58	5/8	.656/16.66						
191930189	D-352-76T	7/16	.453/11.51						
191930181	D-352-12T	1/2	.515/13.08						



SALES DRAWING

- NOTES:
- MATERIAL: COPPER .050/1.27 THK (REF).
PLATING: ELECTROPLATE TIN
 - ALL DIMENSIONS IN INCHES/(MM).
 - BRAZED SEAM.
 - TERMINAL INDICATED MUST MEET MS/AS-20659 TYPE 2 REQUIREMENTS.
 - PART IS ROHS COMPLIANT.

TYPED ON 1/4 STUD EC NO: I6G2015-1900 DRAWING: JAS01 2015/05/15 CHKD: MACNEIL 2015/05/15 APPR: MACNEIL 2015/05/20 REV: A2	QUALITY SYMBOLS	GENERAL TOLERANCES (UNLESS SPECIFIED)	DIMENSION STYLE	SCALE	DESIGN UNITS	THIRD ANGLE PROJECTION																		
	$\nabla=0$ $\nabla=0$	<table border="1"> <thead> <tr> <th></th> <th>mm</th> <th>INCH</th> </tr> </thead> <tbody> <tr> <td>4 PLACES</td> <td>±---</td> <td>±---</td> </tr> <tr> <td>3 PLACES</td> <td>±---</td> <td>±---</td> </tr> <tr> <td>2 PLACES</td> <td>±---</td> <td>±---</td> </tr> <tr> <td>1 PLACE</td> <td>±---</td> <td>±---</td> </tr> <tr> <td>ANGULAR</td> <td>±---</td> <td>°</td> </tr> </tbody> </table>		mm	INCH	4 PLACES	±---	±---	3 PLACES	±---	±---	2 PLACES	±---	±---	1 PLACE	±---	±---	ANGULAR	±---	°	IN/MM DRAWN BY: BENDERLE DATE: 2005/02/03 CHECKED BY: R DEROSS DATE: 2005/02/03 APPROVED BY: R DEROSS DATE: 2005/02/03 MATERIAL NO. SEE CHART SIZE B	INCH TITLE: RING TONGUE TERMINAL 8 AWG, VERSAKRIMP D-352 TONGUE MOLEX INCORPORATED DOCUMENT NO. SD-19193-036 SHEET NO. 1 OF 1		
		mm	INCH																					
	4 PLACES	±---	±---																					
3 PLACES	±---	±---																						
2 PLACES	±---	±---																						
1 PLACE	±---	±---																						
ANGULAR	±---	°																						
DRAFT WHERE APPLICABLE MUST REMAIN WITHIN DIMENSIONS	THIS DRAWING CONTAINS INFORMATION THAT IS PROPRIETARY TO MOLEX INCORPORATED AND SHOULD NOT BE USED WITHOUT WRITTEN PERMISSION																							