

Excellent Integrated System Limited

Stocking Distributor

Click to view price, real time Inventory, Delivery & Lifecycle Information:

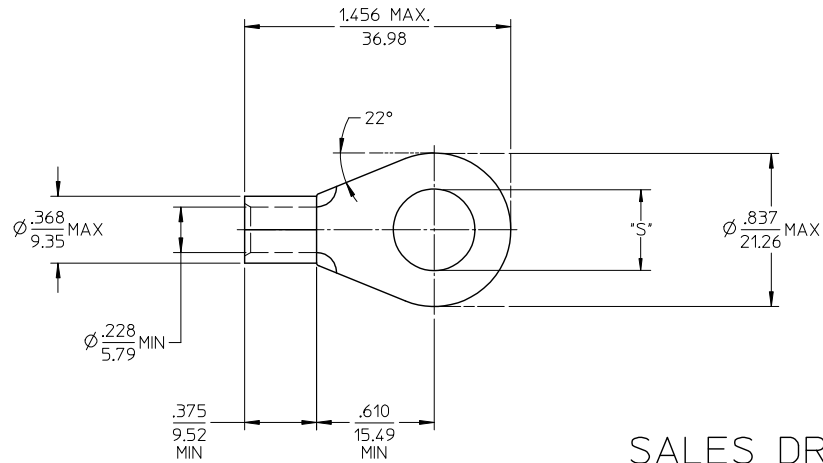
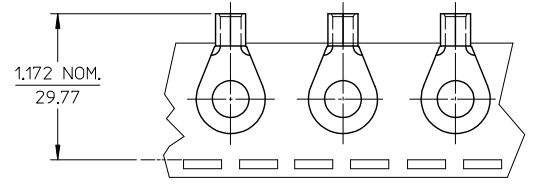
[Molex Connector Corporation](#)

[0191930225](#)

For any questions, you can email us directly:

sales@integrated-circuit.com

| MATERIAL NO. LOOSE PIECE | ENG. NO. | MATERIAL NO. TAPE MOUNTED | ENG. NO. | STUD SIZE | "S" | STOCK THICKNESS |
|--------------------------|----------|---------------------------|-----------|-----------|-----------|--------------------|
| 191930225 | E-358-10 | ----- | ----- | 10 | .198±.003 | .057/(1.45) REF |
| 191930229 | E-358-14 | ----- | ----- | 1/4 | .265±.003 | |
| 191930232 | E-358-56 | ----- | ----- | 5/16 | .328±.003 | |
| 191930230 | E-358-38 | 191930231 | E-358-38T | 3/8 | .390±.003 | |
| 191930234 | E-358-76 | ----- | ----- | 7/16 | .453±.003 | |
| 191930226 | E-358-12 | 191930228 | E-358-12T | 1/2 | .515±.003 | |
| 191930233 | E-358-58 | ----- | ----- | 5/8 | .649 MIN. | |



SALES DRAWING

- NOTE(S):
1. MATERIAL: COPPER
 2. PLATING: ELECTROPLATE TIN
 3. ALL DIMENSIONS IN INCHES/(MM).
 4. WIRE SIZE: 6 AWG
16 MM²
 5. PART IS ROHS COMPLIANT.

| CHANGE 5/8 STUD DIM EC NO: IPG2016-1554 DRAWN: JASO1 2016/05/18 CHECK: JACNEL 2016/05/18 APPR: JACNEL 2016/05/31 | QUALITY SYMBOLS | GENERAL TOLERANCES (UNLESS SPECIFIED) <table border="1"> <thead> <tr> <th></th> <th>mm</th> <th>INCH</th> </tr> </thead> <tbody> <tr> <td>4 PLACES</td> <td>± .---</td> <td>± .---</td> </tr> <tr> <td>3 PLACES</td> <td>± .---</td> <td>± .005</td> </tr> <tr> <td>2 PLACES</td> <td>± 0.13</td> <td>± .01</td> </tr> <tr> <td>1 PLACE</td> <td>± 0.25</td> <td>± .---</td> </tr> </tbody> </table> | | mm | INCH | 4 PLACES | ± .--- | ± .--- | 3 PLACES | ± .--- | ± .005 | 2 PLACES | ± 0.13 | ± .01 | 1 PLACE | ± 0.25 | ± .--- | DIMENSION STYLE | SCALE | DESIGN UNITS | THIRD ANGLE PROJECTION |
|--|---|---|--------------|-----------|------|----------|--------|--------|----------|--------|--------|----------|--------|-------|---------|--------|--------|-----------------|-------|--------------|------------------------|
| | | | mm | INCH | | | | | | | | | | | | | | | | | |
| | 4 PLACES | | ± .--- | ± .--- | | | | | | | | | | | | | | | | | |
| | 3 PLACES | | ± .--- | ± .005 | | | | | | | | | | | | | | | | | |
| 2 PLACES | ± 0.13 | ± .01 | | | | | | | | | | | | | | | | | | | |
| 1 PLACE | ± 0.25 | ± .--- | | | | | | | | | | | | | | | | | | | |
| DESCRIPTION | IN/MM | 2:1 | INCH | | | | | | | | | | | | | | | | | | |
| REV | DRAWN BY DATE | TITLE | | | | | | | | | | | | | | | | | | | |
| | HEB 03/07/25 | RING TONGUE TERMINAL VERSAKRIMP SERIES 6 AWG | | | | | | | | | | | | | | | | | | | |
| | RWD 03/07/25 | MOLEX INCORPORATED | | | | | | | | | | | | | | | | | | | |
| | SEE CHART | SD-19193-005 | | | | | | | | | | | | | | | | | | | |
| | MATERIAL NO. | | DOCUMENT NO. | SHEET NO. | | | | | | | | | | | | | | | | | |
| | B | | | 1 OF 1 | | | | | | | | | | | | | | | | | |
| | THIS DRAWING CONTAINS INFORMATION THAT IS PROPRIETARY TO MOLEX INCORPORATED AND SHOULD NOT BE USED WITHOUT WRITTEN PERMISSION | | | | | | | | | | | | | | | | | | | | |