

## Excellent Integrated System Limited

Stocking Distributor

Click to view price, real time Inventory, Delivery & Lifecycle Information:

[Molex Connector Corporation](#)  
[0190720086](#)

For any questions, you can email us directly:

[sales@integrated-circuit.com](mailto:sales@integrated-circuit.com)



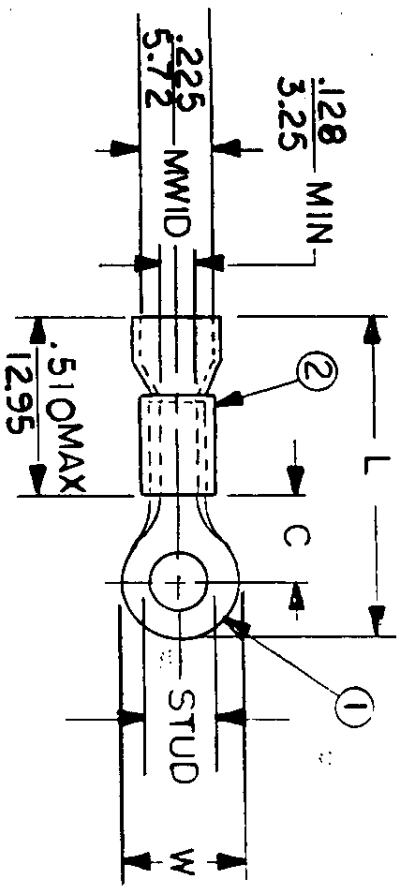
FILE NO. C-CD-401-01

- NOTES:**
- ① MAT'L: COPPER (STOCK TKN.  $\frac{.040}{1.02}$ )  
 PLATING: ELECTRO TIN (.0003 MIN)
  - ② TIN-PLATED BRASS FUNNEL FERRULE

STUD SIZES: ( $\pm .005$ )

02 = .094	413 = .413
04 = .119	76 = .453
06 = .146	12 = .515
08 = .173	
10 = .198	
14 = .265	
56 = .328	
38 = .390	
209 = .209	

"UL" LISTING # E32244  
 "CSA" LISTING # 18689  
 WIRE SIZE: 12-10AWG  
 4.0-6.0MM<sup>2</sup>



ALL DIMENSIONS =  $\frac{\text{INCHES}}{\text{MM}}$  (MWID) DENOTES MAXIMUM WIRE INSULATION DIAMETER

PART NUMBER	"W" $\pm .010$	"C" MIN.	"L" MAX.	AVAILABLE STUD SIZES
C-401-	.750	.611	1.531	14, 56, 38, 76, 12
C-428-	.375	.303	1.036	04, 06, 08, 10, 209
C-430-	.530	.393	1.203	10, 14, 56, 38
C-436-	.282	.306	.992	04, 06, 08
C-440-	.592	.468	1.307	10, 14, 56, 38, 209, 413

DIMENSIONAL TOLERANCES UNLESS OTHERWISE SPECIFIED		REFERENCE	SCALE:	NTS	DATE	TITLE:
FRAC.	DEC.	ANG.	DRAWN. BY: JJ	11-19-84	11-26-84	RING TONGUE TERMINAL VIBRAKRIMP 400-SERIES
$\pm$	$\pm$	$\pm$	CHKD. BY: SZ			
			APPRD. BY:			

DWG. NO. A CUSTOMER DWG