

Excellent Integrated System Limited

Stocking Distributor

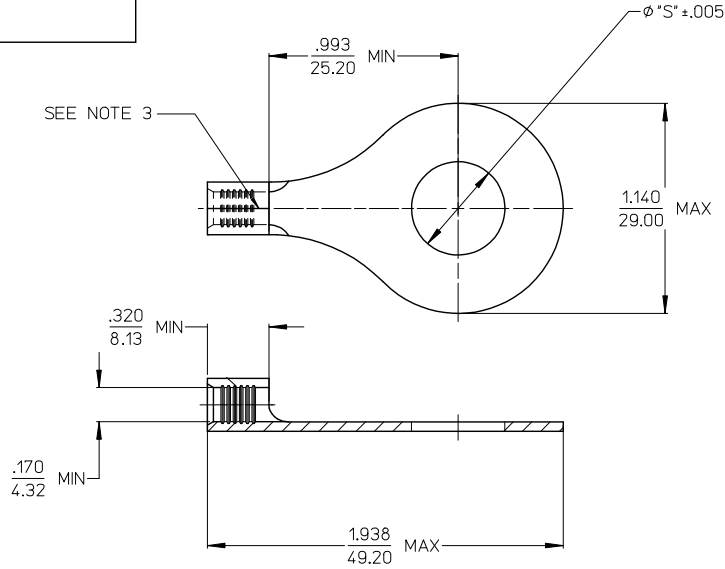
Click to view price, real time Inventory, Delivery & Lifecycle Information:

[Molex Connector Corporation](#)
[0191930196](#)

For any questions, you can email us directly:

sales@integrated-circuit.com

10	9	8	7	6	5	4	3	2	19193
MATERIAL NUMBER	ENGINEERING NUMBER	STUD SIZE	"S"	PACKAGING					
191930191	D-353-14	1/4	.265	(B) LOOSE PIECE					
191930194	D-353-56	5/16	.328						
191930193	D-353-38	3/8	.390						
191930196	D-353-76	7/16	.453						
191930190	D-353-12	1/2	.515						
191930195	D-353-58	5/8	.656						
191930192	D-353-34	3/4	.781						



SALES DRAWING

- NOTES:
 1. MATERIAL: COPPER
 PLATING: ELECTROPLATE TIN
 2. ALL DIMENSIONS IN INCHES/(MM).
 3. BRAZED SEAM.
 4. PART IS ROHS COMPLIANT.

CORRECTED 1/4 STUD EC NO: IPG2015-1900 DRAWN BY: JAS01 2015/05/18 CHKD: JMACNEIL 2015/05/18 APPR: JMACNEIL 2015/05/20	QUALITY SYMBOLS ▽=0 ▽=0	GENERAL TOLERANCES (UNLESS SPECIFIED)		DIMENSION STYLE		SCALE	DESIGN UNITS	THIRD ANGLE PROJECTION	
				IN/MM		2:1	INCH		
		4 PLACES	±---	±---	DRAWN BY	DATE	TITLE RING TONGUE TERMINAL 8 AWG VERSAKRIMP D-353 TONGUE		
		3 PLACES	±---	±.005	ETHRODAHL	2008/02/21			
2 PLACES	±0.13	±.01	CHECKED BY	DATE	MOLEX INCORPORATED				
1 PLACE	±0.25	±---	JMACNEIL	2008/02/21					
ANGULAR ±---		°	APPROVED BY	DATE	MATERIAL NO.	DOCUMENT NO.	SHEET NO.		
DRAFT WHERE APPLICABLE MUST REMAIN WITHIN DIMENSIONS		SEE CHART		JMACNEIL	2008/02/21	SD-19193-037	1 OF 1		
THIS DRAWING CONTAINS INFORMATION THAT IS PROPRIETARY TO MOLEX INCORPORATED AND SHOULD NOT BE USED WITHOUT WRITTEN PERMISSION									