

Excellent Integrated System Limited

Stocking Distributor

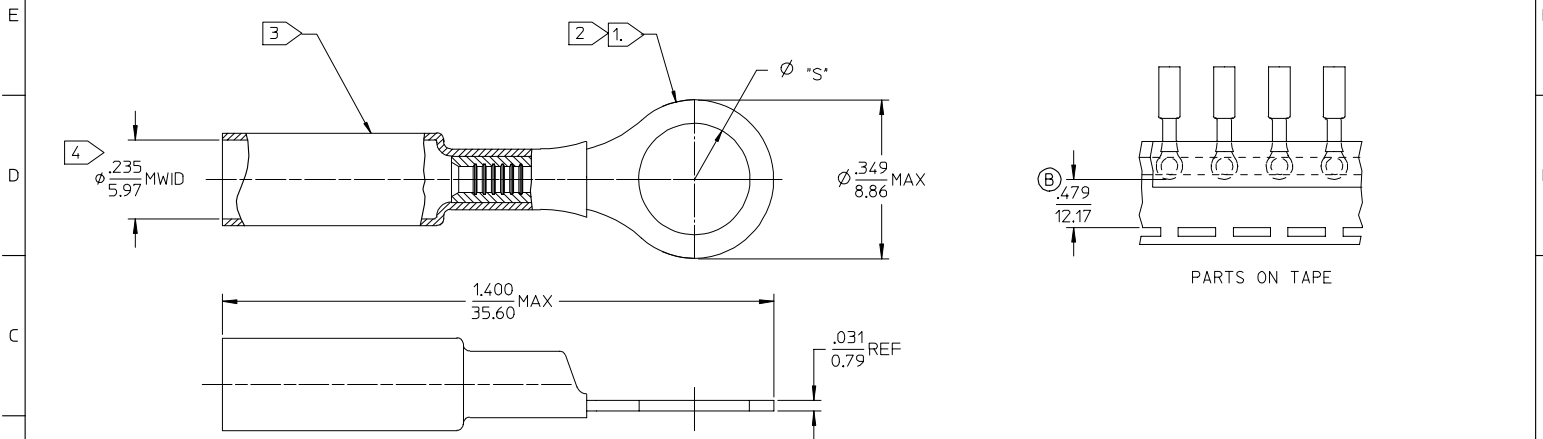
Click to view price, real time Inventory, Delivery & Lifecycle Information:

[Molex Connector Corporation](#)
[0191640313](#)

For any questions, you can email us directly:

sales@integrated-circuit.com

10	9	8	7	6	5	4	3	2	19164
MATERIAL NUMBER	ENGINEERING NUMBER	MATERIAL NUMBER ON TAPE	ENGINEERING NUMBER	STUD SIZE	"S"				
191640035	SB-239-04	---	---	#4	.119/3.02				
191640036	SB-239-06	---	---	#6	.146/3.71				
191640037	SB-239-08	---	---	#8	.173/4.39				
191640038	SB-239-10	191640313	SB-239-10T	#10	.198/5.03				



SALES DRAWING

NOTES:

- 1. MATERIAL: COPPER ALLOY.
- 2. FINISH: ELECTRO TIN PLATE.
- 3. INSULATION MATERIAL: HEAT SHRINKABLE TUBING WITH HOTMELT ADHESIVE INNER LINER. COLOR: BLUE.
- 4. MVID = MAXIMUM WIRE INSULATION DIAMETER.

DIM: 479 WAS 550 EC NO: ETC2005-0212 DRAWN BY: RICK 2005/06/20 CHKD: DEROSS 2005/06/21 APPR: DEROSS 2005/06/21	QUALITY SYMBOLS -0 -0	GENERAL TOLERANCES (UNLESS SPECIFIED)		SCALE 2:1	DESIGN UNITS INCH	THIRD ANGLE PROJECTION	REVISE ON CAD ONLY	
		4 PLACES	±	---	---	DIMENSION STYLE IN/MM		TITLE RING TONGUE TERMINAL PERMA-SEAL NIAC 16-14 AWG
		3 PLACES	±	---	---	DRAWN BY ENDERLE	DATE 2004/06/21	
		2 PLACES	±	---	---	CHECKED BY BEITZEL	DATE 2004/06/21	MOLEX INCORPORATED MATERIAL NO. SEE CHART DOCUMENT NO. SD-19164-067 SHEET NO. 1 OF 1
1 PLACE	±	---	---	APPROVED BY DEROSS	DATE 2004/06/21			
DRAFT WHERE APPLICABLE MUST REMAIN WITHIN DIMENSIONS		ANGULAR ±---°		THIS DRAWING CONTAINS INFORMATION THAT IS PROPRIETARY TO MOLEX INCORPORATED AND SHOULD NOT BE USED WITHOUT WRITTEN PERMISSION				