

Excellent Integrated System Limited

Stocking Distributor

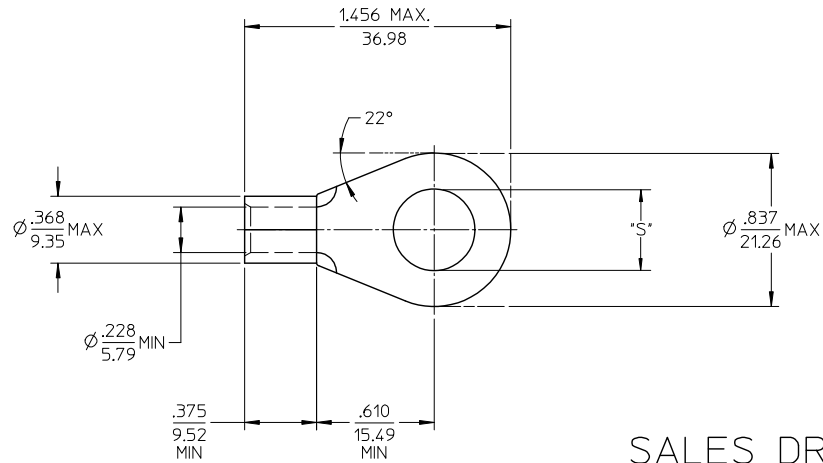
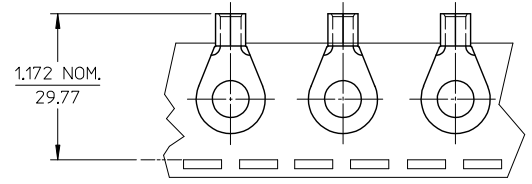
Click to view price, real time Inventory, Delivery & Lifecycle Information:

[Molex Connector Corporation](#)
[0191930228](#)

For any questions, you can email us directly:

sales@integrated-circuit.com

MATERIAL NO. LOOSE PIECE	ENG. NO.	MATERIAL NO. TAPE MOUNTED	ENG. NO.	STUD SIZE	"S"	STOCK THICKNESS
191930225	E-358-10	-----	-----	10	.198±.003	.057/(1.45) REF
191930229	E-358-14	-----	-----	1/4	.265±.003	
191930232	E-358-56	-----	-----	5/16	.328±.003	
191930230	E-358-38	191930231	E-358-38T	3/8	.390±.003	
191930234	E-358-76	-----	-----	7/16	.453±.003	
191930226	E-358-12	191930228	E-358-12T	1/2	.515±.003	
191930233	E-358-58	-----	-----	5/8	.649 MIN.	



SALES DRAWING

- NOTE(S):
1. MATERIAL: COPPER
 2. PLATING: ELECTROPLATE TIN
 3. ALL DIMENSIONS IN INCHES/(MM).
 4. WIRE SIZE: 6 AWG
16 MM²
 5. PART IS ROHS COMPLIANT.

CHANGE 5/8 STUD DIM EC NO: IPG2016-1554 DRAWN: JASO1 2016/05/18 CHECK: JACQUEL 2016/05/18 APPR: JACQUEL 2016/05/31	QUALITY SYMBOLS	GENERAL TOLERANCES (UNLESS SPECIFIED) <table border="1"> <thead> <tr> <th></th> <th>mm</th> <th>INCH</th> </tr> </thead> <tbody> <tr> <td>4 PLACES</td> <td>± .---</td> <td>± .---</td> </tr> <tr> <td>3 PLACES</td> <td>± .---</td> <td>± .005</td> </tr> <tr> <td>2 PLACES</td> <td>± 0.13</td> <td>± .01</td> </tr> <tr> <td>1 PLACE</td> <td>± 0.25</td> <td>± .---</td> </tr> <tr> <td colspan="3">ANGULAR ± 1/2°</td> </tr> </tbody> </table>		mm	INCH	4 PLACES	± .---	± .---	3 PLACES	± .---	± .005	2 PLACES	± 0.13	± .01	1 PLACE	± 0.25	± .---	ANGULAR ± 1/2°			DIMENSION STYLE	SCALE	DESIGN UNITS	THIRD ANGLE PROJECTION
			mm	INCH																				
	4 PLACES		± .---	± .---																				
	3 PLACES		± .---	± .005																				
2 PLACES	± 0.13	± .01																						
1 PLACE	± 0.25	± .---																						
ANGULAR ± 1/2°																								
DESCRIPTION	IN/MM	2:1	INCH																					
REV	DRAWN BY: DLM DATE: 03/07/25 CHECKED BY: HEB DATE: 03/07/25 APPROVED BY: RWD DATE: 03/07/25	TITLE	MOLEX INCORPORATED RING TONGUE TERMINAL VERSAKRIMP SERIES 6 AWG																					
	MATERIAL NO. SEE CHART SIZE B	DRAFT WHERE APPLICABLE MUST REMAIN WITHIN DIMENSIONS	DOCUMENT NO. SD-19193-005 SHEET NO. 1 OF 1	THIS DRAWING CONTAINS INFORMATION THAT IS PROPRIETARY TO MOLEX INCORPORATED AND SHOULD NOT BE USED WITHOUT WRITTEN PERMISSION																				